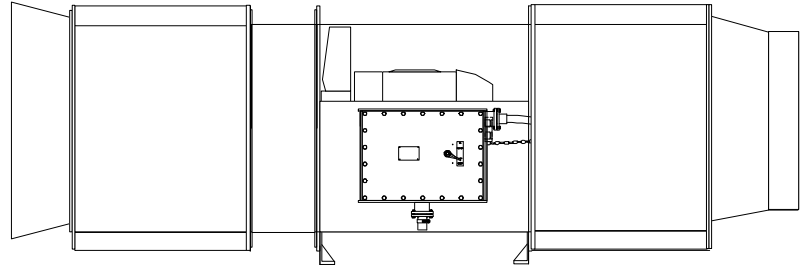
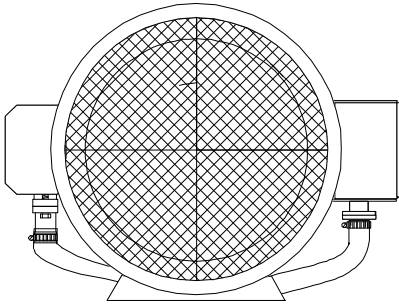


INDEX

PERMISSIBLE MINE FANS	1
PERMISSIBLE CARRIAGE ARRANGEMENTS	2
AFS #39 - #54A SERIES	3
AFS #56 - #80 SERIES	4
AFD #56 - #80 SERIES	5
CR #56 - #80 SERIES	6
CR #1.12 - #1.52 SERIES	7
ILC #63 - #77 SERIES	8
LCP SERIES SILENCERS	9
AFS #90 - #1.53 SERIES	10
AFS #1.6 - #2.13 SERIES	11
SCRUBBER SYSTEMS INFORMATION	12
SCRUBBER SYSTEMS APPLICATION	13
CASSETTE SYSTEMS FOR ROUND AND OVAL DUCT	14

ALL INFORMATION CONTAINED IN THIS CATALOG IS SUBJECT TO CHANGE AT ANY TIME.
INFORMATION SUPPLIED SHOULD NOT BE USED FOR CONSTRUCTION.
SPECIFIC INFORMATION WILL BE SUPPLIED UPON REQUEST.

ALL FANS ARE PERFORMANCE TESTED TO THE AMCA-210-85 STANDARD



**PERMISSIBLE MINE FANS
SIZE RANGE: 15" TO 55" ID**

SMJ, INC. DESIGNS & MANUFACTURES SINGLE & TWO STAGE VANE AXIAL AND INLINE CENTRIFUGAL VENTILATION FANS

TYPICAL APPLICATIONS: FACE, AUXILIARY, EXHAUST, BORE HOLE, VENTILATION

- FANS ARE APPROVED UNDER SCH-2G
- HP RANGE: 15-100 HP SINGLE/TWO STAGE VANE AXIAL
- HP RANGE: 2 X 15 HP TO 2 X 100 HP, CR SERIES FAN
- HP RANGE: 30, 50, 100 HP, ILC SERIES FAN
- VOLTAGE: 460/575/950/60/3

FANS AND RELATED COMPONENTS ARE CONSTRUCTED FOR UNDERGROUND USAGE

CUSTOM DESIGNED FANS:

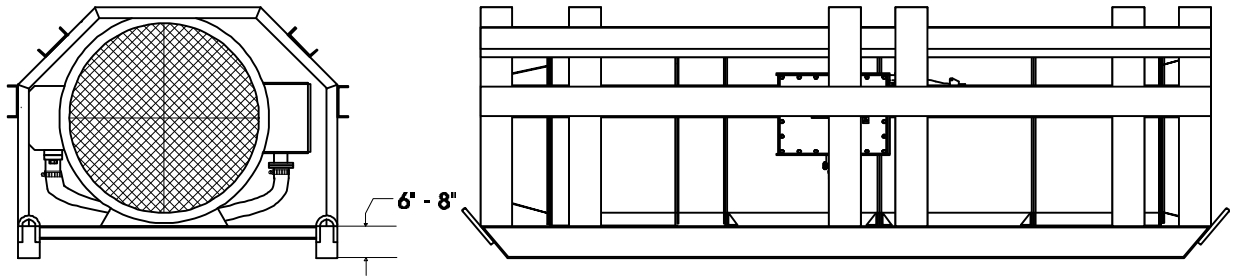
SMJ, INC. CUSTOM DESIGNS FANS TO SUIT THE SPECIFIC REQUIREMENTS OF THE CUSTOMER, INCLUDING CFM, PRESSURE AND NOISE

ACCESSORIES INCLUDE:

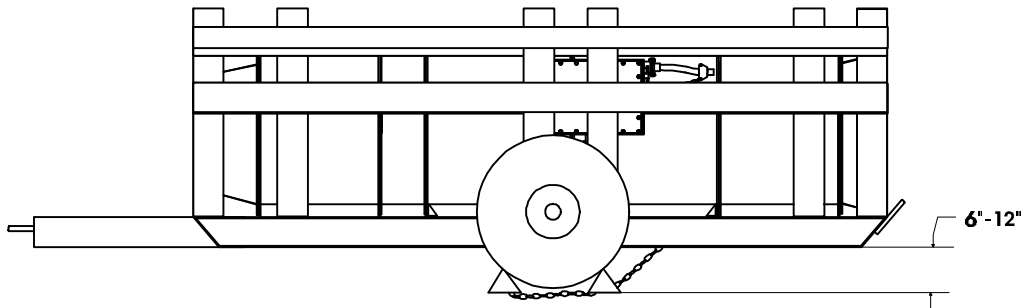
- INLET & OUTLET ADAPTERS
- SILENCER SYSTEMS
- TRICKLE DUSTERS
- PROTECTIVE CAGE ASSEMBLIES
- SKID MOUNTING
- SKID/AXLE MOUNTING
- SELF PROPELLED USING PERMISSIBLE TRACK ASSEMBLY

APPLICABLE FAN STYLES:

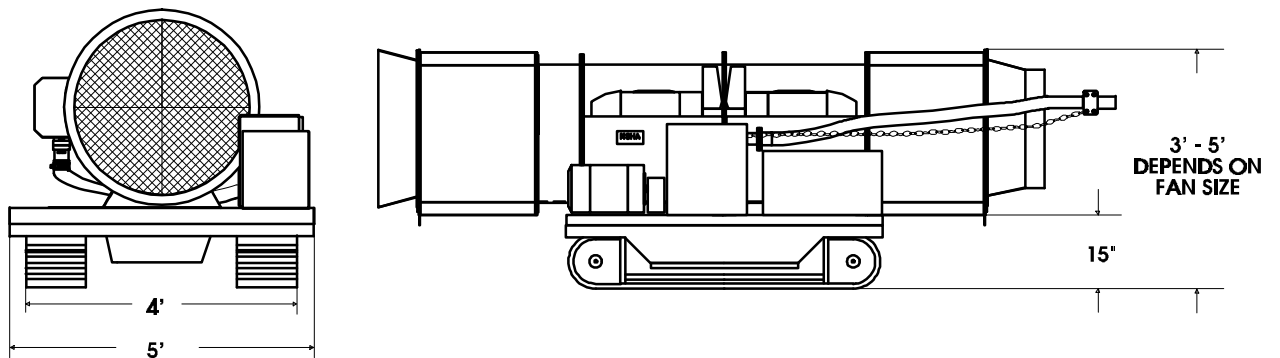
AFS SERIES
CR SERIES
ILC SERIES



SKID ASSEMBLY

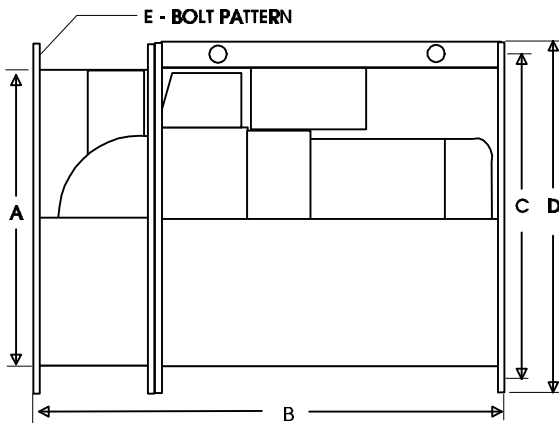
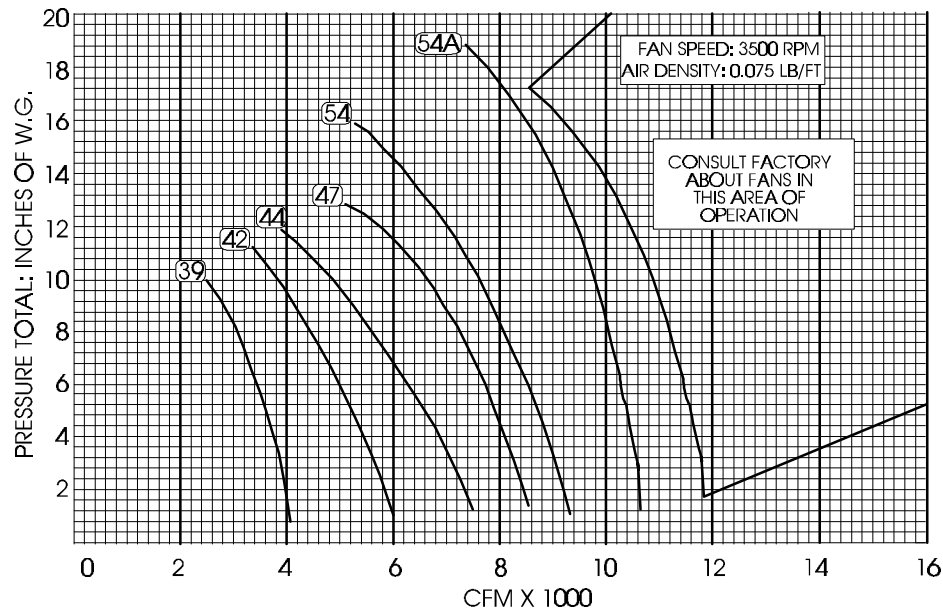


AXLE ASSEMBLY



TRACK MOUNTED SELF-PROPELLED CHASSIS SYSTEM

REFERENCE ENVELOPE PERFORMANCE CURVES: SHOWING CFM Vs. Pt, MINIMUM TO MAXIMUM.
INDIVIDUAL FAN PERFORMANCE CURVES SUPPLIED UPON REQUEST.



FAN SIZE	A	B	C	D	E	RPM	HP
39	15.250	24.50	17.750	19.750	12 - .625	3500	10
42	16.500	24.50	19.000	21.000	12 - .625	3500	10
44	17.375	24.50	19.975	21.875	12 - .625	3500	10-15
47	18.500	30.00	21.000	23.000	12 - .625	3500	15-20
54	21.250	29.75	23.750	25.750	12 - .625	3500	30
54A	21.250	34.50	23.750	25.750	12 - .625	3500	30-40

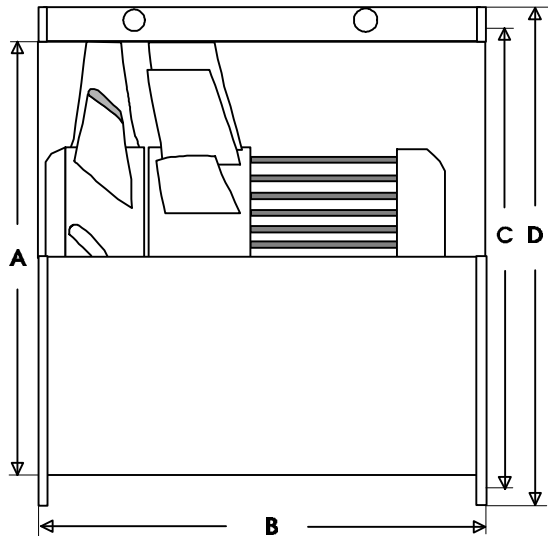
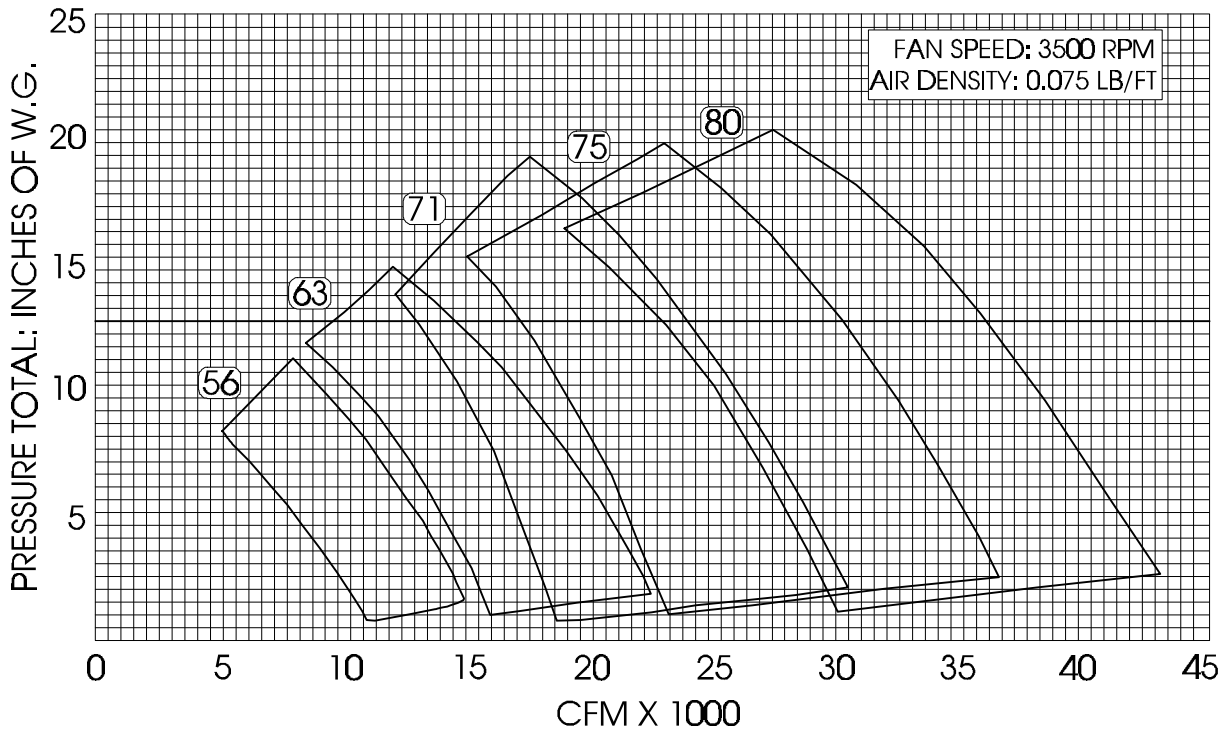
NOTES

- ELECTRIC MOTORS MAY BE SUPPLIED WITH THE FOLLOWING FEATURES: STANDARD ENCLOSURES, CLASS-I, GROUP-D, CLASS-II, GROUP-E, F, G, X/P - MSHA, MARINE DUTY.
- STARTER ASSEMBLIES: STANDARD, EXPLOSION PROOF, MSHA X/P RATED ENCLOSURES.
- INLET & OUTLET ADAPTERS, SKID ASSEMBLY, AXLE ASSEMBLY, SELF PROPELLED PROTECTIVE CAGE ASSEMBLY, TRICKLE DUSTERS, MOUNTING FEET, MAY BE SUPPLIED FOR ALL UNITS.
- THE DIMENSIONS SUPPLIED ARE FOR STANDARD PRODUCTION FAN UNITS. FAN UNITS MAY BE CUSTOM BUILT TO YOUR SPECIFICATIONS IN REGARDS TO SIZES, VOLUMES AND PRESSURES.

MATERIAL SPECIFICATIONS

- FAN CASING THICKNESS: 1/4" to 5/16" STEEL PLATE
- FAN FLANGES: 3/8" X 2" STEEL, STANDARD.
- FAN UNIT LIFTING BAR INCLUDED.
- FIXED PITCH OR ADJUSTABLE IMPELLER ASSEMBLIES
- INCLUDED BUT NOT SHOWN: MOTOR CONNECTION BOX AND EXTERNAL LUBRICATION LINES.
- TEFC OR TEAO MOTORS ARE SUPPLIED.
- HYDRAULIC MOTORS MAY BE SUPPLIED ON ALL SIZES.

REFERENCE ENVELOPE PERFORMANCE CURVES: SHOWING CFM Vs. Pt, MINIMUM TO MAXIMUM.
INDIVIDUAL FAN PERFORMANCE CURVES SUPPLIED UPON REQUEST.



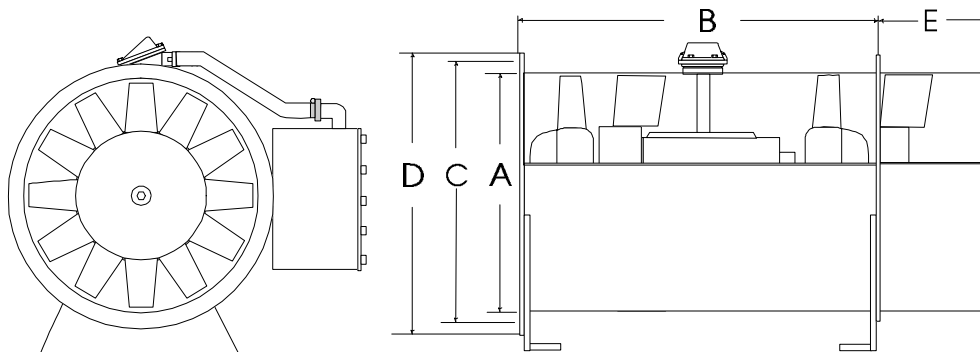
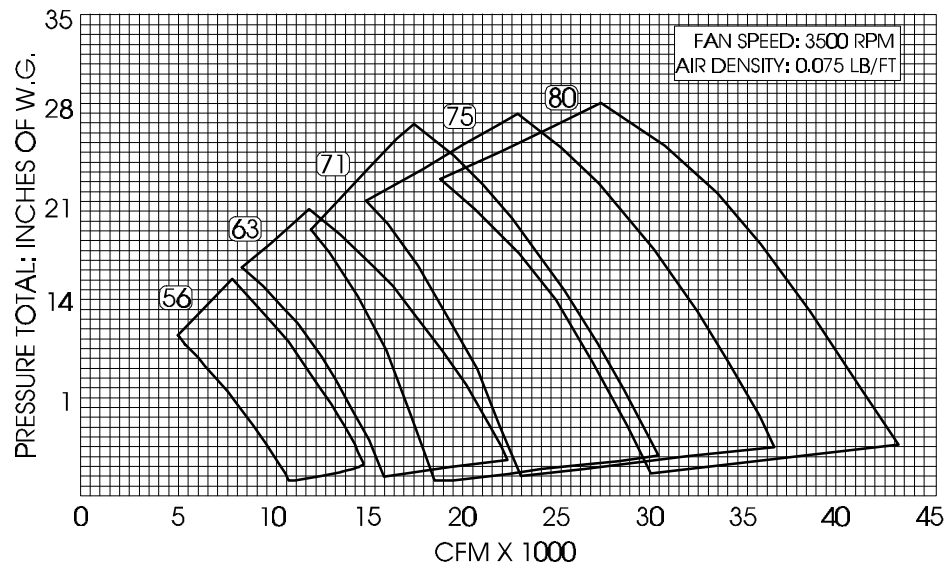
MATERIAL SPECIFICATIONS

1. FAN CASING THICKNESS: 1/4" to 5/16" STEEL PLATE
2. FAN FLANGES: 3/8" X 2" STEEL, STANDARD.
3. FAN UNIT LIFTING BAR INCLUDED.
4. ADJUSTABLE AT STANDSTILL IMPELLER ASSEMBLIES
5. INCLUDED BUT NOT SHOWN: MOTOR CONNECTION BOX AND EXTERNAL LUBRICATION LINES.
6. TEFC OR TEAO MOTORS ARE SUPPLIED.

FAN SIZE	A	B	C	D	BOLT HOLES	RPM RANGE	HP RANGE
56	22.0	44	24.5	27.5	12 - .625	3500	25 - 40
63	25.0	47	27.5	30.5	12 - .625	3500	25 - 50
71	28.0	50	30.5	33.5	12 - .625	3500	40 - 75
75	30.0	50	33.0	33.5	12 - .625	3500	50 - 100
80	31.5	50	34.5	37.0	12 - .625	3500	50 - 100

NOTES

1. ELECTRIC MOTORS MAY BE SUPPLIED WITH THE FOLLOWING FEATURES: STANDARD ENCLOSURES, CLASS-I, GROUP-D, CLASS-II, GROUP-E, F, G, X/P - MSHA, MARINE DUTY.
2. STARTER ASSEMBLIES: STANDARD, EXPLOSION PROOF, MSHA X/P RATED ENCLOSURES.
3. INLET & OUTLET ADAPTERS, SKID ASSEMBLY, AXLE ASSEMBLY, SELF PROPELLED, PROTECTIVE CAGE ASSEMBLY, TRICKLE DUSTERS, MOUNTING FEET, MAY BE SUPPLIED FOR ALL UNITS.
4. THE DIMENSIONS SUPPLIED ARE FOR STANDARD PRODUCTION FAN UNITS. FAN UNITS MAY BE CUSTOM BUILT TO YOUR SPECIFICATIONS IN REGARDS TO SIZES, VOLUMES AND PRESSURES.

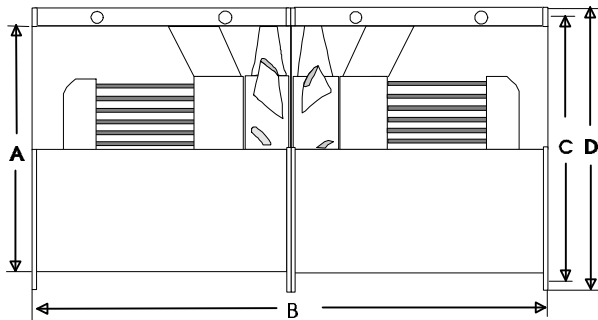
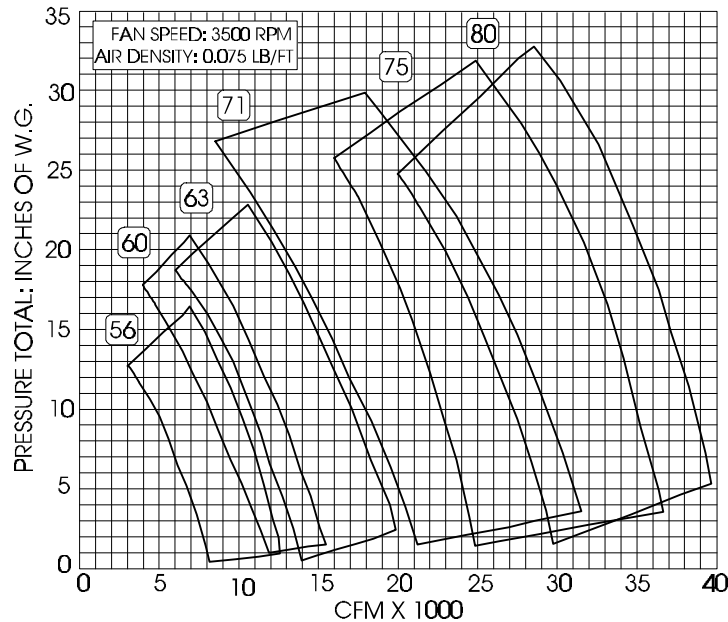


SIZE	A	B	C	D	E	HP	BOLT HOLES
56	22.0	AS PER REQUIREMENT	24.5	27.5	14	AS PER REQUIREMENT	12 EA. - .625"
63	25.0		27.5	30.5	14		12 EA. - .625"
71	28.0		30.5	33.5	14		12 EA. - .625"
75	30.0		33.0	35.5	14		12 EA. - .625"
80	21.5		34.5	37.0	14		12 EA. - .625"

NOTES

- | | |
|--|--|
| <h4>MATERIAL SPECIFICATIONS</h4> <ol style="list-style-type: none"> FAN CASING THICKNESS: 1/4" to 5/16" STEEL PLATE FAN FLANGES: 3/8" X 2" STEEL, STANDARD. FAN UNIT LIFTING BAR INCLUDED. FIXED PITCH OR ADJUSTABLE IMPELLER ASSEMBLIES INCLUDED BUT NOT SHOWN: MOTOR CONNECTION BOX AND EXTERNAL LUBRICATION LINES. TEFC OR TEAO MOTORS ARE SUPPLIED. HYDRAULIC MOTORS MAY BE SUPPLIED ON ALL SIZES. | <ol style="list-style-type: none"> ELECTRIC MOTORS MAY BE SUPPLIED WITH THE FOLLOWING FEATURES: STANDARD ENCLOSURES, CLASS-I, GROUP-D, CLASS-II, GROUP-E, F, G, X/P - MSHA, MARINE DUTY. STARTER ASSEMBLIES: STANDARD, EXPLOSION PROOF, MSHA X/P RATED ENCLOSURES. INLET & OUTLET ADAPTERS, SKID ASSEMBLY, AXLE ASSEMBLY, SELF PROPELLED, PROTECTIVE CAGE ASSEMBLY, TRICKLE DUSTERS, MOUNTING FEET, MAY BE SUPPLIED FOR ALL UNITS. THE DIMENSIONS SUPPLIED ARE FOR STANDARD PRODUCTION FAN UNITS. FAN UNITS MAY BE CUSTOM BUILT TO YOUR SPECIFICATIONS IN REGARDS TO SIZES, VOLUMES AND PRESSURES. |
|--|--|

REFERENCE ENVELOPE PERFORMANCE CURVES: SHOWING CFM Vs. Pt, MINIMUM TO MAXIMUM.
INDIVIDUAL FAN PERFORMANCE CURVES SUPPLIED UPON REQUEST.



MATERIAL SPECIFICATIONS

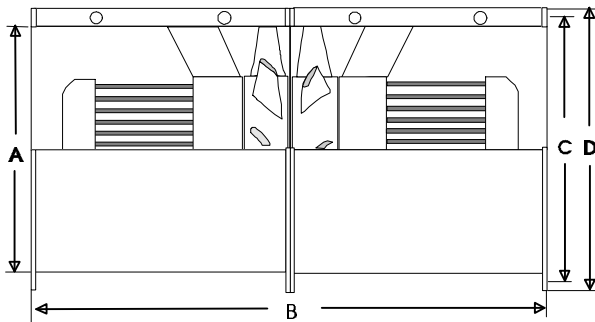
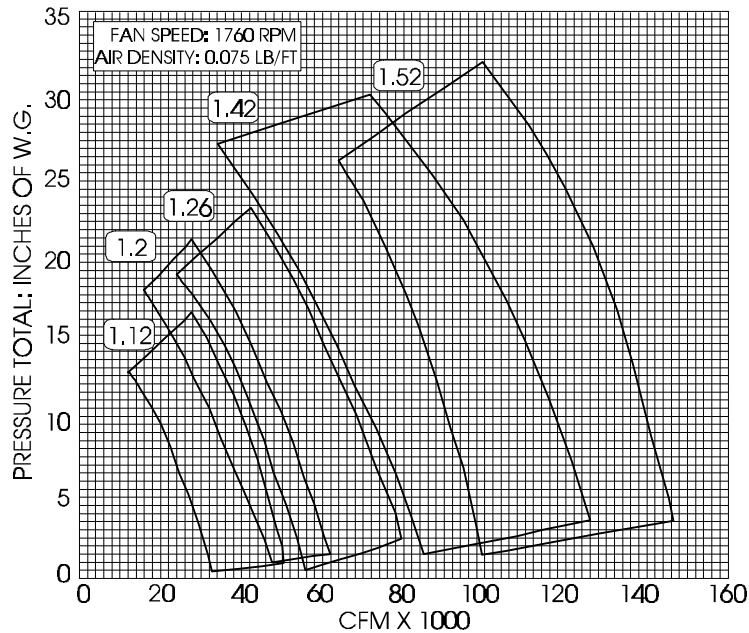
1. FAN CASING THICKNESS: 1/4" to 5/16" STEEL PLATE
2. FAN FLANGES: 3/8" X 2" STEEL, STANDARD.
3. FAN UNIT LIFTING BAR INCLUDED.
4. FIXED OR ADJUSTABLE AT STANDSTILL IMPELLER ASSEMBLIES
5. INCLUDED BUT NOT SHOWN: MOTOR CONNECTION BOX AND EXTERNAL LUBRICATION LINES.
6. TEFC OR TEAO MOTORS ARE SUPPLIED.
7. HORSEPOWER RANGES SHOWN ARE MINIMUM TO MAXIMUM

FAN SIZE	A	B	C	D	BOLT HOLES	FAN RPM	HP RANGE
56	22.00	60	24.50	27.50	12 - .625	3500	DUAL 2 X 10 2 X 20
60	23.50	60	26.50	29.00	12 - .625	3500	DUAL 2 X 15 2 X 25
63	25.00	66	27.50	30.50	12 - .625	3500	DUAL 2 X 25 2 X 30
71	28.00	72	30.50	33.50	12 - .625	3500	DUAL 2 X 30 2 X 60
76	30.00	72	33.00	35.50	12 - .625	3500	DUAL 2 X 50 2 X 100
80	31.50	72	34.50	37.00	12 - .625	3500	DUAL 2 X 60 2 X 100

NOTES

1. ELECTRIC MOTORS MAY BE SUPPLIED WITH THE FOLLOWING FEATURES: STANDARD ENCLOSURES, CLASS-I, GROUP-D, CLASS-II, GROUP-E, F, G, X/P - MSHA, MARINE DUTY.
2. STARTER ASSEMBLIES: STANDARD, EXPLOSION PROOF, MSHA X/P RATED ENCLOSURES.
3. INLET & OUTLET ADAPTERS, SKID ASSEMBLY, AXLE ASSEMBLY, SELF PROPELLED, PROTECTIVE CAGE ASSEMBLY, TRICKLE DUSTERS, MOUNTING FEET, MAY BE SUPPLIED FOR ALL UNITS.
4. THE DIMENSIONS SUPPLIED ARE FOR STANDARD PRODUCTION FAN UNITS. FAN UNITS MAY BE CUSTOM BUILT TO YOUR SPECIFICATIONS IN REGARDS TO SIZES, VOLUMES AND PRESSURES.
5. UP TO 4 STAGES CAN BE ASSEMBLES, Pt CAN ALMOST BE DOUBLED.

REFERENCE ENVELOPE PERFORMANCE CURVES: SHOWING CFM Vs. Pt, MINIMUM TO MAXIMUM.
INDIVIDUAL FAN PERFORMANCE CURVES SUPPLIED UPON REQUEST.



MATERIAL SPECIFICATIONS

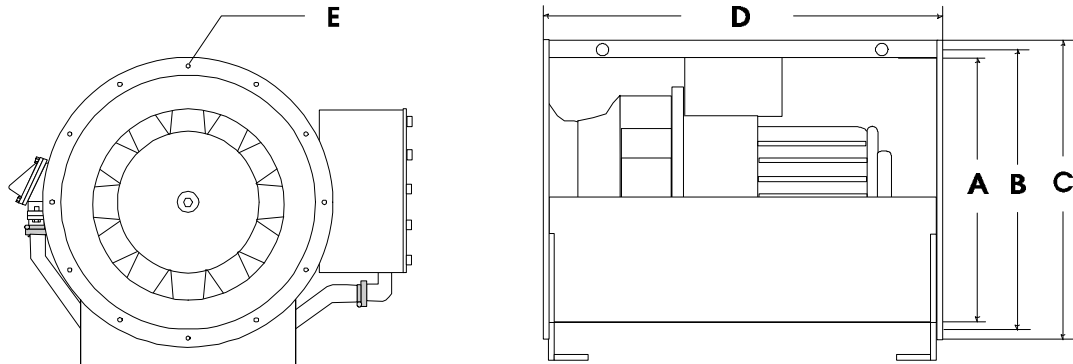
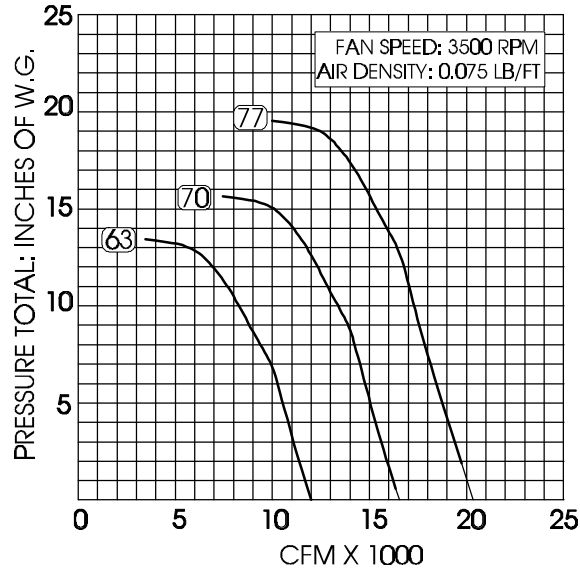
1. FAN CASING THICKNESS: 1/4" to 5/16" STEEL PLATE
2. FAN FLANGES: 1/2" X 2" STEEL, STANDARD.
3. FAN UNIT LIFTING BAR INCLUDED.
4. FIXED OR ADJUSTABLE AT STANDSTILL IMPELLER ASSEMBLIES
5. INCLUDED BUT NOT SHOWN: MOTOR CONNECTION BOX AND EXTERNAL LUBRICATION LINES.
6. TEFC OR TEAO MOTORS ARE SUPPLIED.
7. HORSEPOWER RANGES SHOWN ARE MINIMUM TO MAXIMUM

FAN SIZE	A	B	C	D	BOLT HOLES	FAN RPM	HP RANGE
1.12	44.00	96	47.00	48.50	16 - .625	1760	DUAL 2 X 40 2 X 80
1.2	47.00	96	49.50	51.50	16 - .625	1760	DUAL 2 X 60 2 X 100
1.26	50.00	96	52.00	54.50	16 - .625	1760	DUAL 2 X 100 2 X 125
1.42	56.00	120	58.50	60.50	16 - .625	1760	DUAL 2 X 125 2 X 250
1.52	60.00	120	62.75	64.50	16 - .625	1760	DUAL 2 X 200 2 X 400

NOTES

1. ELECTRIC MOTORS MAY BE SUPPLIED WITH THE FOLLOWING FEATURES: STANDARD ENCLOSURES, CLASS-I, GROUP-D, CLASS-II, GROUP-E, F, G, X/P - MSHA, MARINE DUTY.
2. STARTER ASSEMBLIES: STANDARD, EXPLOSION PROOF, MSHA X/P RATED ENCLOSURES.
3. INLET & OUTLET ADAPTERS, SKID ASSEMBLY, AXLE ASSEMBLY, SELF PROPELLED, PROTECTIVE CAGE ASSEMBLY, TRICKLE DUSTERS, MOUNTING FEET, MAY BE SUPPLIED FOR ALL UNITS.
4. THE DIMENSIONS SUPPLIED ARE FOR STANDARD PRODUCTION FAN UNITS. FAN UNITS MAY BE CUSTOM BUILT TO YOUR SPECIFICATIONS IN REGARDS TO SIZES, VOLUMES AND PRESSURES.
5. UP TO 4 STAGES CAN BE ASSEMBLES, Pt CAN ALMOST BE DOUBLED.

PERFORMANCE CURVES: SHOWING CFM Vs. Pt.



FAN SIZE	A	B	C	D	E	HP	dBA
63	25.0000	27.5000	29.5000	36	12 EA . 1/2" HOLES	30	90
70	27.4375	29.9375	31.9375	48	12 EA . 1/2" HOLES	50	90
77	30.5000	33.0000	35.0000	48	12 EA . 1/2" HOLES	100	93

NOISE DATA

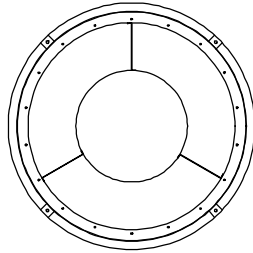
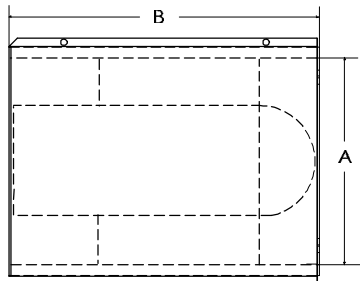
- ALL DATA BASED ON AN OPEN FREE FIELD PARAMETERS.

MATERIAL SPECIFICATIONS

- FAN CASING THICKNESS: 1/4" to 5/16" STEEL PLATE
- FAN FLANGES: 3/8" X 2" STEEL, STANDARD.
- FAN UNIT LIFTING BAR INCLUDED.
- INCLUDED BUT NOT SHOWN: MOTOR CONNECTION BOX AND EXTERNAL LUBRICATION LINES.
- TEFC OR TEAO MOTORS ARE SUPPLIED.

NOTES

- ELECTRIC MOTORS MAY BE SUPPLIED WITH THE FOLLOWING FEATURES: STANDARD ENCLOSURES, CLASS-I, GROUP-D, CLASS-II, GROUP-E, F, G, X/P - MSHA, MARINE DUTY.
- STARTER ASSEMBLIES: STANDARD, EXPLOSION PROOF, MSHA X/P RATED ENCLOSURES.
- INLET & OUTLET ADAPTERS, SKID ASSEMBLY, AXLE ASSEMBLY, PROTECTIVE CAGE ASSEMBLY, TRICKLE DUSTERS, MOUNTING FEET, MAY BE SUPPLIED FOR ALL UNITS.
- THE DIMENSIONS SUPPLIED ARE FOR STANDARD PRODUCTION FAN UNITS. FAN UNITS MAY BE CUSTOM BUILT TO YOUR SPECIFICATIONS IN REGARDS TO SIZES, VOLUMES AND PRESSURES.



		OCTAVE BAND MID-FREQUENCIES							
A	B	63 HZ	125 HZ	250 HZ	500 HZ	1K HZ	2K HZ	4K HZ	8K HZ
12.0	18.00	2	5	5	9	18	20	18	15
15.5	23.25	2	6	6	10	19	24	20	17
19.5	29.25	2	3	8	16	21	22	21	17
23.5	35.25	3	5	8	16	19	16	14	12
30.0	45.00	4	5	8	16	19	15	14	13
35.0	52.50	5	5	11	18	19	14	14	14
49.0	73.50	5	8	12	19	17	14	12	10
55.0	82.50	5	8	13	17	16	13	11	8

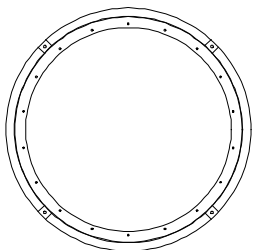
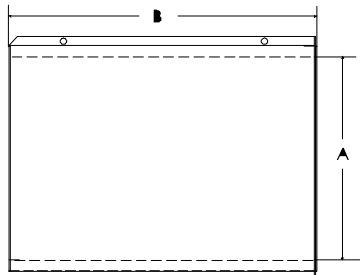
FOR ID'S LARGER THAN 55" CONSULT THE FACTORY

CONSTRUCTION FEATURES

LIFTING / HANGING BAR
CLEANABLE DESIGN
CONSTRUCTED FOR UNDERGROUND MINING
LOW PRESSURE DROP

NOTES:

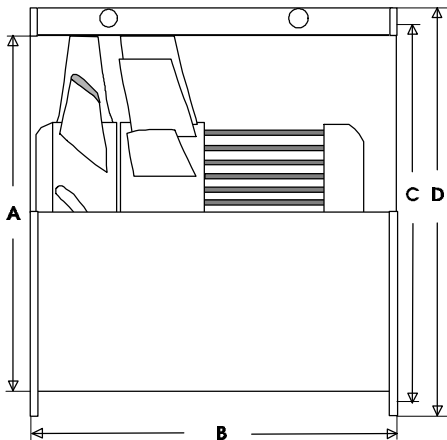
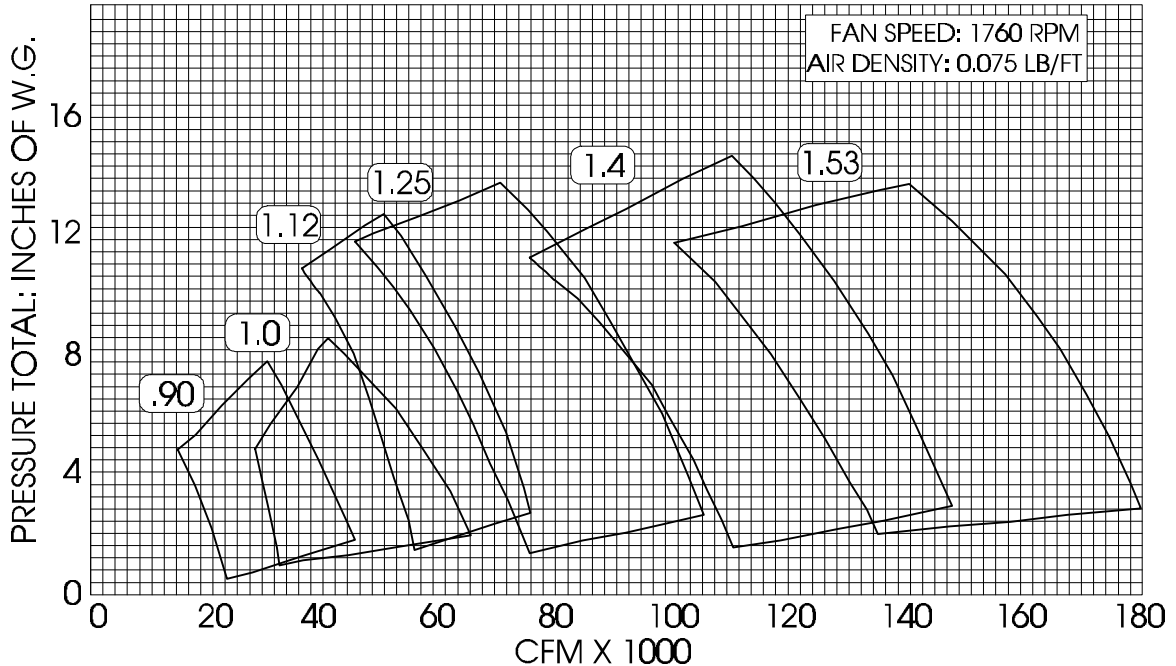
- VALUES WILL VARY IN REGARDS TO FAN PLACEMENT, LOCATION, FAN STYLE AND VOLUME/PRESSURE PRODUCED BY THE FAN.
- ALL VALUES BASED UPON AN OPEN FREE FIELD, WITH FAN UNIT MOUNTED ON A HEMISPHERICAL PLANE.
- ALL SILENCERS ARE BUILT TO THE SPECIFIC FAN SIZE.



		OCTAVE BAND MID-FREQUENCIES							
A	B	63 HZ	125 HZ	250 HZ	500 HZ	1K HZ	2K HZ	4K HZ	8K HZ
12.0	18.00	1	2	4	9	11	10	9	7
15.5	23.25	2	3	5	10	13	11	9	8
19.5	29.25	2	3	6	13	14	10	10	5
23.5	35.25	3	5	7	15	13	8	9	8
30.0	45.00	3	5	8	16	12	9	9	8
35.0	52.50	4	5	11	16	11	10	8	9
49.0	73.50	4	6	12	17	10	9	8	7
55.0	82.50	5	7	13	16	10	8	7	6

FOR ID'S LARGER THAN 55" CONSULT THE FACTORY

REFERENCE ENVELOPE PERFORMANCE CURVES: SHOWING CFM Vs. Pt, MINIMUM TO MAXIMUM.
INDIVIDUAL FAN PERFORMANCE CURVES SUPPLIED UPON REQUEST. NOTE:



MATERIAL SPECIFICATIONS

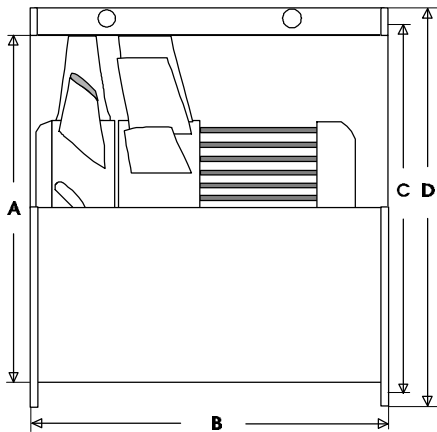
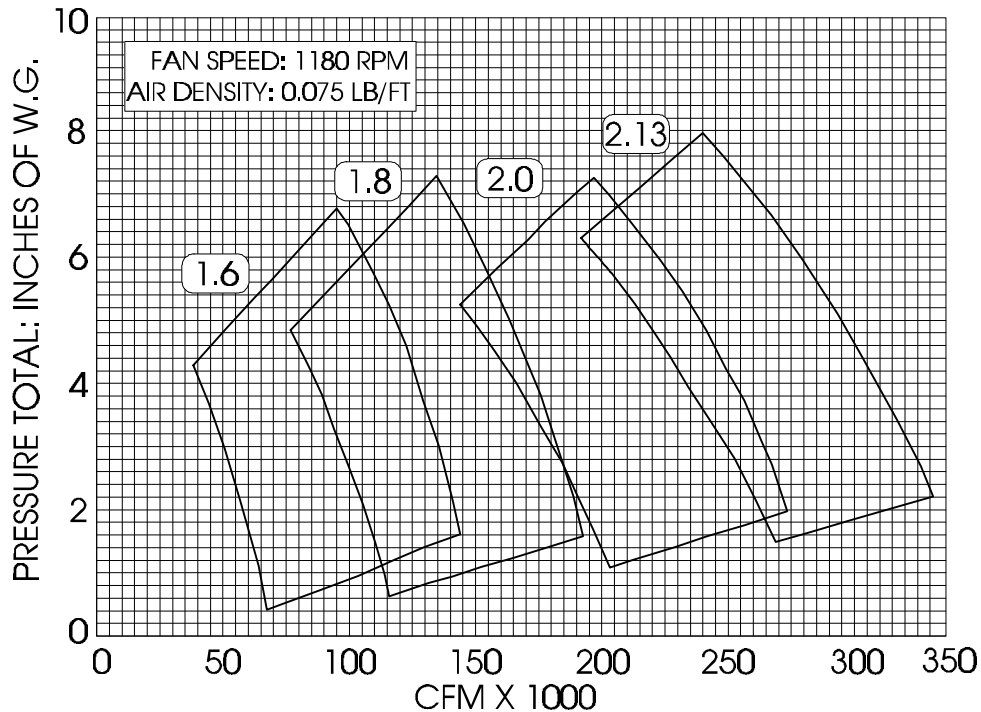
1. FAN CASING THICKNESS: 1/4" to 5/16" STEEL PLATE
 2. FAN FLANGES: 3/8" X 2" TO 1/2" X 2" STEEL, STANDARD.
 3. FAN UNIT LIFTING BAR INCLUDED.
 4. ADJUSTABLE AT STANDSTILL IMPELLER ASSEMBLIES
 5. INCLUDED BUT NOT SHOWN: MOTOR CONNECTION BOX AND EXTERNAL LUBRICATION LINES.
 6. TEFC OR TEAO MOTORS ARE SUPPLIED.
- ALL DESIGNS MAY BE BELT DRIVEN AND SKID MOUNTED
 - ALSO AVAILABLE IN TWO STAGE DESIGN

NOTES

1. ELECTRIC MOTORS MAY BE SUPPLIED WITH THE FOLLOWING FEATURES: STANDARD ENCLOSURES, CLASS-I, GROUP-D, CLASS-II, GROUP-E, F, G, X/P - MSHA, MARINE DUTY.
2. STARTER ASSEMBLIES: STANDARD, EXPLOSION PROOF, MSHA X/P RATED ENCLOSURES.
3. INLET & OUTLET ADAPTERS, SKID ASSEMBLY, AXLE ASSEMBLY, PROTECTIVE CAGE ASSEMBLY, TRICKLE DUSTERS, MOUNTING FEET, MAY BE SUPPLIED FOR ALL UNITS.
4. THE DIMENSIONS SUPPLIED ARE FOR STANDARD PRODUCTION FAN UNITS. FAN UNITS MAY BE CUSTOM BUILT TO YOUR SPECIFICATIONS IN REGARDS TO SIZES, VOLUMES AND PRESSURES.
5. 880 & 1180 RPM FAN PERFORMANCE CURVES AVAILABLE UPON REQUEST

FAN SIZE	A	B	C	D	BOLT HOLES	RPM RANGE
.90	35.500	36	38.500	41.000	12 - .625	710 - 3000
1.0	39.500	42	42.500	45.000	16 - .625	710 - 1760
1.12	44.000	48	47.000	49.500	16 - .625	710 - 1760
1.25	49.250	60	52.000	54.750	16 - .625	710 - 1760
1.4	55.125	60	57.875	60.625	16 - .625	710 - 1760
1.53	60.000	60	62.750	65.500	16 - .625	710 - 1760

REFERENCE ENVELOPE PERFORMANCE CURVES: SHOWING CFM Vs. Pt, MINIMUM TO MAXIMUM.
INDIVIDUAL FN PERFORMANCE CURVES SUPPLIED UPON REQUEST.



MATERIAL SPECIFICATIONS

1. FAN CASING THICKNESS: 1/4" to 5/16" STEEL PLATE
2. FAN FLANGES: 3/8" X 2" TO 1/2" X 2" STEEL, STANDARD.
3. FAN UNIT LIFTING BAR INCLUDED.
4. ADJUSTABLE AT STANDSTILL IMPELLER ASSEMBLIES
5. INCLUDED BUT NOT SHOWN: MOTOR CONNECTION BOX AND EXTERNAL LUBRICATION LINES.
6. TEFC OR TEAO MOTORS ARE SUPPLIED.

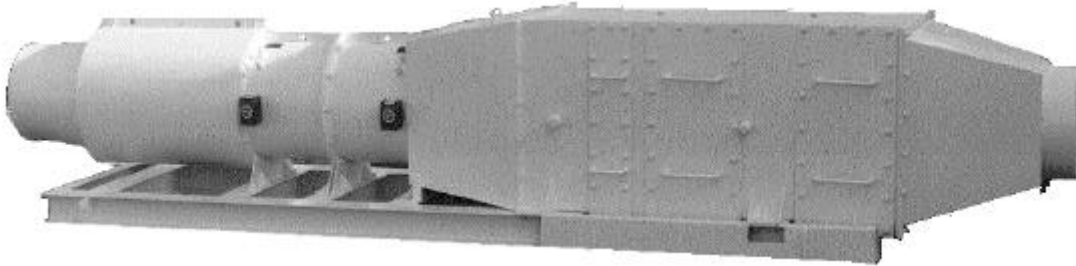
NOTE:

- ALL DESIGNS MAY BE BELT DRIVEN AND SKID MOUNTED
- ALSO AVAILABLE IN TWO STAGE DESIGN

NOTES

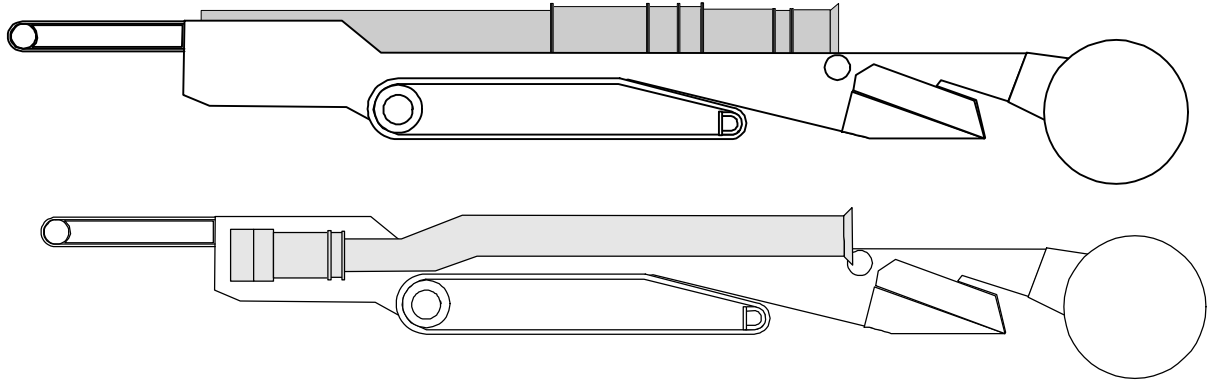
1. ELECTRIC MOTORS MAY BE SUPPLIED WITH THE FOLLOWING FEATURES: STANDARD ENCLOSURES, CLASS-I, GROUP-D, CLASS-II, GROUP-E, F, G, X/P - MSHA, MARINE DUTY.
2. STARTER ASSEMBLIES: STANDARD, EXPLOSION PROOF, MSHA X/P RATED ENCLOSURES.
3. INLET & OUTLET ADAPTERS, SKID ASSEMBLY, AXLE ASSEMBLY, PROTECTIVE CAGE ASSEMBLY, TRICKLE DUSTERS, MOUNTING FEET, MAY BE SUPPLIED FOR ALL UNITS.
4. THE DIMENSIONS SUPPLIED ARE FOR STANDARD PRODUCTION FAN UNITS. FAN UNITS MAY BE CUSTOM BUILT TO YOUR SPECIFICATIONS IN REGARDS TO SIZES, VOLUMES AND PRESSURES.
5. 880 RPM FAN PERFORMANCE CURVES AVAILABLE UPON REQUEST.

FAN SIZE	A	B	C	BOLT HOLES	D	RPM RANGE
1.6	63.00	60	65.75	16 - .625	68.50	710 - 1500
1.67	66.00	60	69.00	16 - .625	72.50	710 - 1200
1.8	71.00	60	74.00	16 - .625	77.50	710 - 1200
2	78.75	60	81.75	16 - .625	85.25	710 - 1200
2.1	82.50	60	85.50	16 - .625	89.00	710 - 1200
2.13	84.00	60	87.00	16 - .625	90.50	710 - 1200

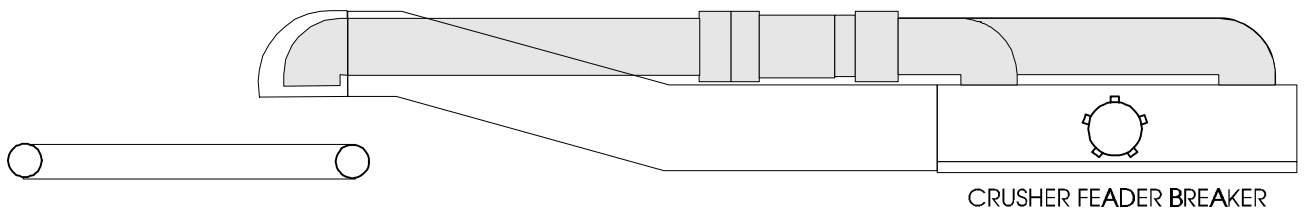
SCRUBBER SYSTEMS: UNDERGROUND MINING

- I. VOLUME RANGE: 5000 TO 30000 CFM
- II. PARTICULATE SIZE REMOVED: DOWN TO 5 MICRON AT 92-95% EFFICIENCY
- III. SOURCE TO REMOVE DUST: WATER
- IV. VOLTAGES: 460/575/950/60/3
- V. APPROVED UNDER SCH-2G-4009A-0
- VI. APPLICATIONS:
 - A. STAGE LOADERS [BEHIND LONGWALL]
 - B. CONTINUOUS MINERS
 - C. IN-LINE SYSTEMS
 - D. TUNNELS & TUNNELING
- VII. ALL SCRUBBER SYSTEM ARE FITTED WITH MINE DUTY SILENCERS FOR 90 dBa OPERATION.
- VIII. ALL FANS SUPPLIED ARE MINE DUTY WITH ADJUSTABLE AT STANDSTILL IMPELLERS.
- IX. ALL MOTORS SUPPLIED TO COAL MINES ARE RELIANCE ELECTRIC BRAND.
- X. NORMAL GPM REQUIREMENT: 20-40
- XI. COMPLETE SYSTEM IS SUPPLIED.

TYPICAL APPLICATIONS

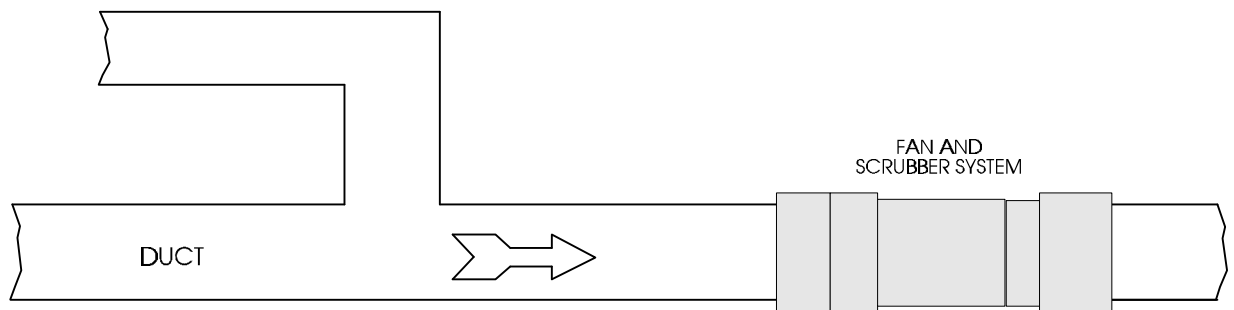


CONTINUOUS MINERS



CRUSHER FEADER BREAKER

LONGWALLS



IN-LINE DUCTING

AND ANY OTHER DUST COLLECTION NEED



CASSETTE SYSTEMS
FOR
ROUND OR OVAL
FLEXIBLE DUCTING

DUCT ADAPTERS: CUSTOM BUILT OUTLET ADAPTERS
STANDARD DUCTING CAPACITY IS 100 METERS
DUCT SIZE RANGE IS 300 mm TO 2000 mm

FEATURES:

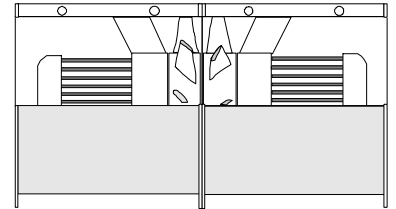
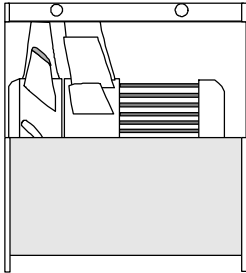
- HEAVY DUTY STEEL CONSTRUCTION WITH ENAMEL PAINT
- MAY BE SUPPORTED FROM THE TOP, SIDES OR BOTTOM
- MAY BE SUPPLIED WITH OR WITHOUT FEET OR THE UNIT MAY BE SKID MOUNTED
- CASSETTE SYSTEMS ARE CUSTOM MADE TO FIT YOUR SPECIFIC REQUIREMENTS

SMJ INC

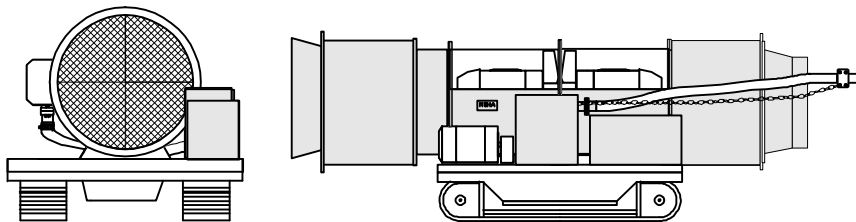
P.O. BOX 55034
GRAND JUNCTION, CO 81505
PHONE/FAX 970-243-5134

FANS FOR MINING AND TUNNELING

- FANS
 - SELF PROPELLED
 - AXLE MOUNT
 - SKID MOUNT
- SCRUBBER SYSTEMS
 - LONGWALL
 - CONTINUOUS MINERS
 - IN-LINE DUCT



- PRIMARY FANS
 - 7' TO 11'
- CUSTOM BUILT SYSTEMS
- SILENCERS



FEATURES:

- Constructed for Underground Duty
- Adjustable or Fixed Pitch Impellers
- Single Stage to Four Stage Operation
- Dependable Quality
- Proven Designs
- Standard and Explosion Proof Designs
- Approved Under MSHA SCH-2G