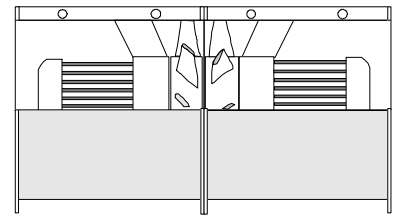
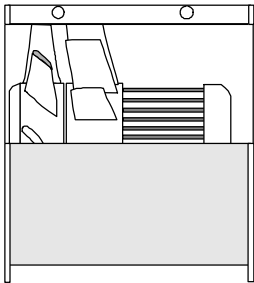


SMJ INC

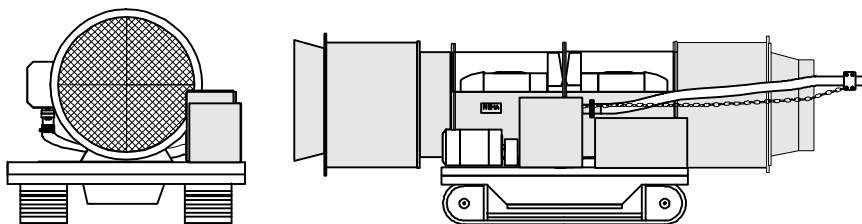
P.O. BOX 55034
GRAND JUNCTION, CO 81505
PHONE/FAX 970-243-5134

FANS FOR MINING AND TUNNELING

- FANS
 - SELF PROPELLED
 - AXLE MOUNT
 - SKID MOUNT
- SCRUBBER SYSTEMS
 - LONGWALL
 - CONTINUOUS MINERS
 - IN-LINE DUCT



- PRIMARY FANS
 - 2.13 METER TO 3.4 METER
- CUSTOM BUILT SYSTEMS
- SILENCERS



FEATURES:

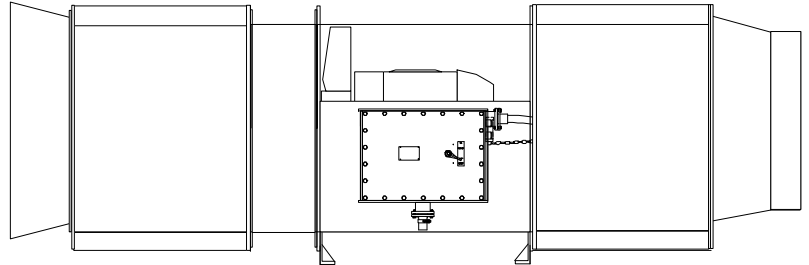
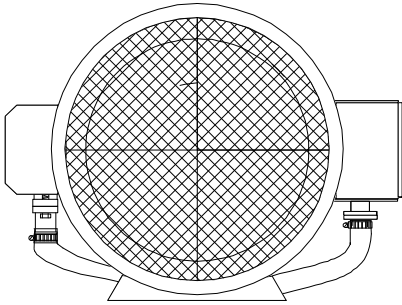
- Constructed for Underground Duty
- Adjustable or Fixed Pitch Impellers
- Single Stage to Four Stage Operation
- Dependable Quality
- Proven Designs
- Standard and Explosion Proof Designs
- Approved Under MSHA SCH-2G

INDEX

PERMISSIBLE MINE FANS	1
PERMISSIBLE CARRIAGE ARRANGEMENTS	2
AFS #39 - #54A SERIES	3
AFS #56 - #80 SERIES	4
AFD #56 - #80 SERIES	5
CR #56 - #80 SERIES	6
CR #1.12 - #1.52 SERIES	7
ILC #63 - #77 SERIES	8
LCP SERIES SILENCERS	9
AFS #90 - #1.53 SERIES	10
AFS #1.6 - #2.13 SERIES	11
SCRUBBER SYSTEMS INFORMATION	12
SCRUBBER SYSTEMS APPLICATION	13
.....	14

ALL INFORMATION CONTAINED IN THIS CATALOG IS SUBJECT TO CHANGE AT ANY TIME.
INFORMATION SUPPLIED SHOULD NOT BE USED FOR CONSTRUCTION.
SPECIFIC INFORMATION WILL BE SUPPLIED UPON REQUEST.

ALL FANS ARE PERFORMANCE TESTED TO THE AMCA-210-85 STANDARD



**PERMISSIBLE MINE FANS
SIZE RANGE: 381mm TO 1397mm ID**

SMJ, INC. DESIGNS & MANUFACTURES SINGLE & TWO STAGE VANE AXIAL AND INLINE CENTRIFUGAL VENTILATION FANS

TYPICAL APPLICATIONS: FACE, AUXILARY, EXHAUST, BORE HOLE, VENTILATION

- FANS ARE APPROVED UNDER SCH-2G
- HP RANGE: 12-76 kW SINGLE/TWO STAGE VANE AXIAL
- HP RANGE: 2 X 12 kW TO 2 X 76kW HP, CR SERIES FAN
- HP RANGE: 24, 39, 76 kW, ILC SERIES FAN
- VOLTAGE: 300-1000V/50,60Hz/3 ϕ

FANS AND RELATED COMPONENTS ARE CONSTRUCTED FOR UNDERGROUND USAGE

CUSTOM DESIGNED FANS:

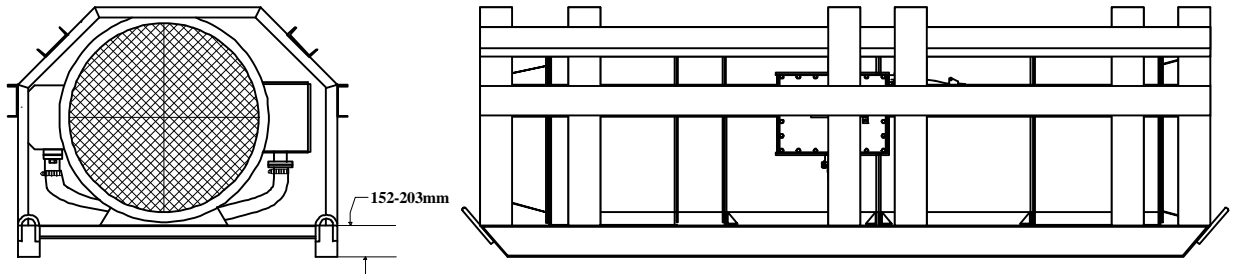
SMJ, INC. CUSTOM DESIGNS FANS TO SUIT THE SPECIFIC REQUIREMENTS OF THE CUSTOMER, INCLUDING CFM, PRESSURE AND NOISE

ACCESSORIES INCLUDE:

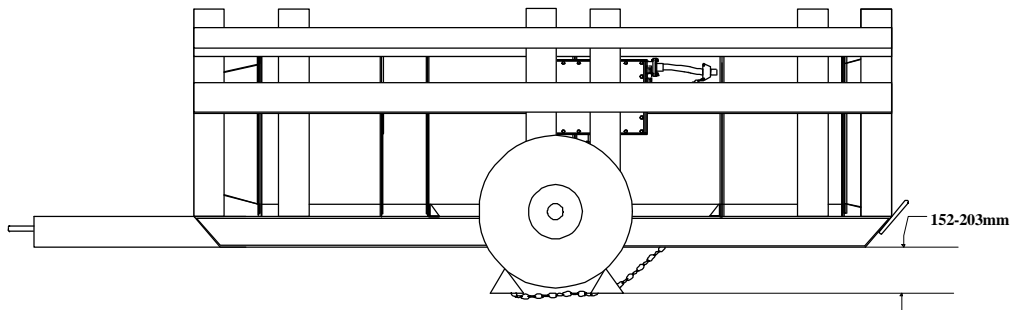
- INLET & OUTLET ADAPTERS
- SILENCER SYSTEMS
- TRICKLE DUSTERS
- PROTECTIVE CAGE ASSEMBLIES
- SKID MOUNTING
- SKID/AXLE MOUNTING
- SELF PROPELLED USING TRACKED ASSEMBLY

APPLICABLE FAN STYLES:

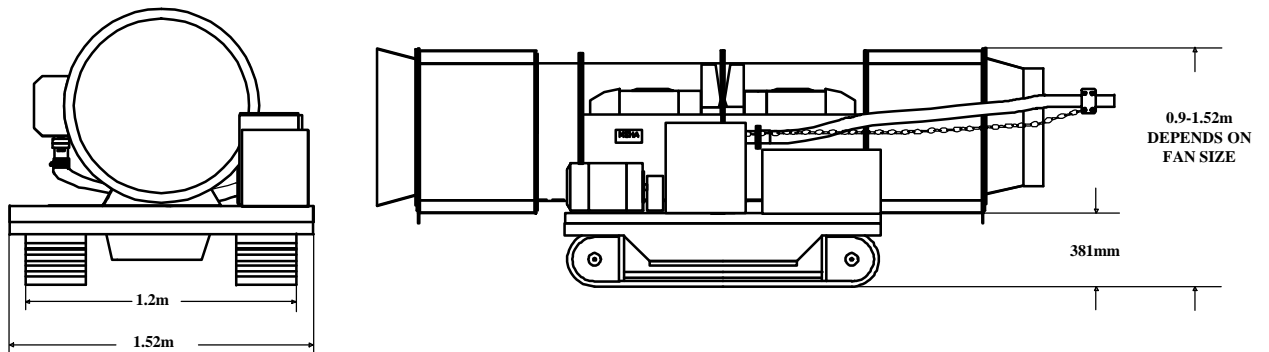
AFS SERIES
CR SERIES
ILC SERIES



SKID ASSEMBLY

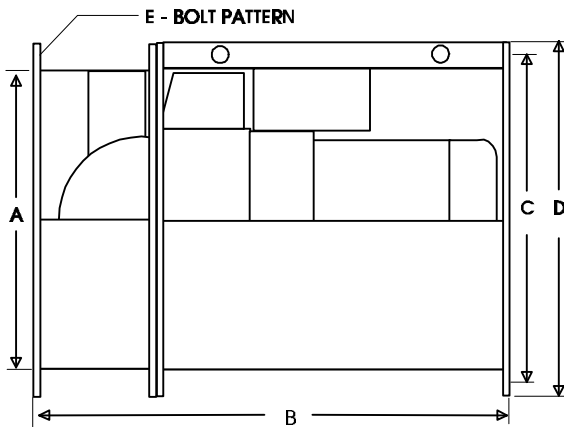
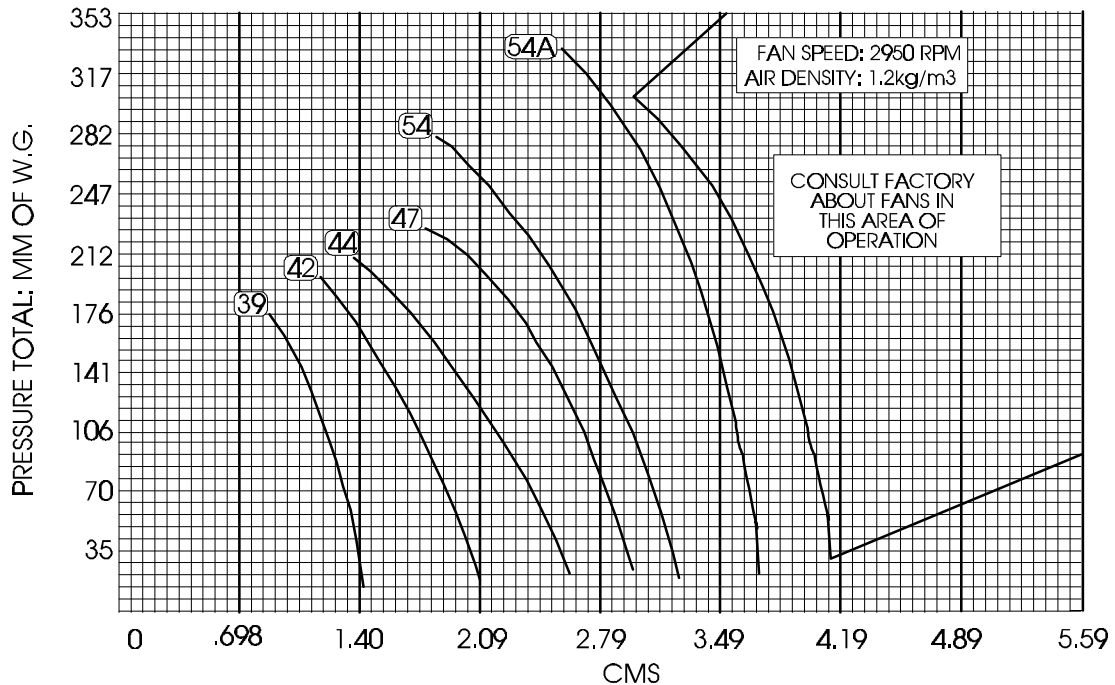


AXLE ASSEMBLY



TRACK MOUNTED SELF-PROPELLED CHASSIS SYSTEM

REFERENCE ENVELOPE PERFORMANCE CURVES: SHOWING CMS Vs. Pt, MINIMUM TO MAXIMUM.
INDIVIDUAL FAN PERFORMANCE CURVES SUPPLIED UPON REQUEST.



ALL DIMENSIONS ARE IN MM.

FAN SIZE	A	B	C	D	E	RPM	KW
39	387	622	451	502	12 - 16	2950	8
42	419	622	483	533	12 - 16	2950	8
44	441	622	507	556	12 - 16	2950	8-12
47	470	762	533	584	12 - 16	2950	12-16
54	540	756	603	654	12 - 16	2950	23
54A	540	876	603	654	12 - 16	2950	23-31

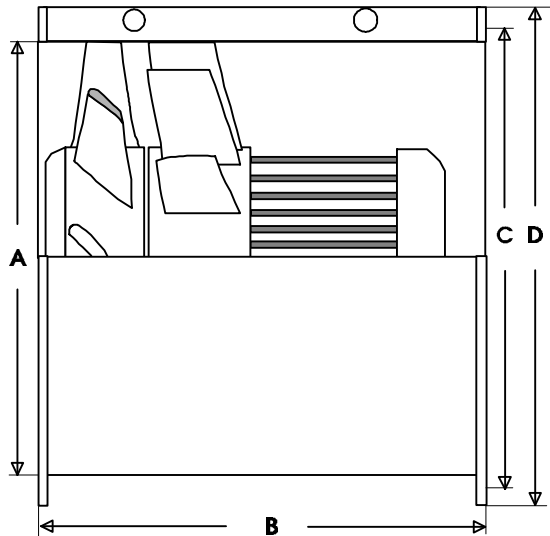
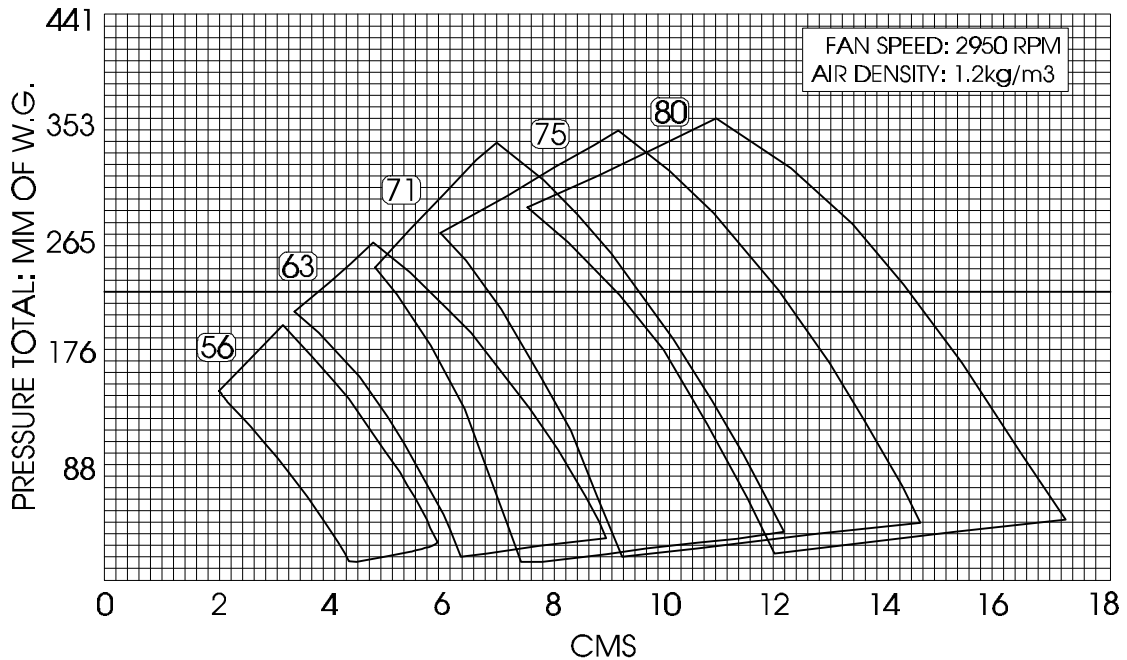
NOTES

MATERIAL SPECIFICATIONS

- FAN CASING THICKNESS: 6mm to 8mm STEEL PLATE
- FAN FLANGES: 10mm X 50mm STEEL, STANDARD.
- FAN UNIT LIFTING BAR INCLUDED.
- FIXED PITCH OR ADJUSTABLE IMPELLER ASSEMBLIES
- INCLUDED BUT NOT SHOWN: MOTOR CONNECTION BOX AND EXTERNAL LUBRICATION LINES.
- TEFC OR TEAO MOTORS ARE SUPPLIED.
- HYDRAULIC MOTORS MAY BE SUPPLIED ON ALL SIZES.

- ELECTRIC MOTORS MAY BE SUPPLIED WITH THE FOLLOWING FEATURES: STANDARD ENCLOSURES, CLASS-I, GROUP-D, CLASS-II, GROUP-E, F, G, X/P - MSHA, MARINE DUTY.
- STARTER ASSEMBLIES: STANDARD, EXPLOSION PROOF, MSHA X/P RATED ENCLOSURES.
- INLET & OUTLET ADAPTERS, SKID ASSEM., AXLE ASSEM., SELF PROPELLED PROTECTIVE CAGE ASSEM., TRICKLE DUSTERS, MOUNTING FEET, MAY BE SUPPLIED FOR ALL UNITS.
- THE DIMENSIONS SUPPLIED ARE FOR STANDARD PRODUCTION FAN UNITS. FAN UNITS MAY BE CUSTOM BUILT TO YOUR SPECIFICATIONS IN REGARDS TO SIZES, VOLUMES AND PRESSURES.

REFERENCE ENVELOPE PERFORMANCE CURVES: SHOWING CMS Vs. P_t, MINIMUM TO MAXIMUM.
INDIVIDUAL FAN PERFORMANCE CURVES SUPPLIED UPON REQUEST.



ALL DIMENSIONS ARE IN MM.

FAN SIZE	A	B	C	D	BOLT HOLES	RPM RANGE	KW
56	559	1118	622	699	12 - 16	2950	19 - 31
63	635	1194	699	775	12 - 16	2950	19 - 39
71	711	1270	775	775	12 - 16	2950	31 - 58
75	762	1270	838	775	12 - 16	2950	39 - 78
80	800	1270	876	775	12 - 16	2950	39 - 78

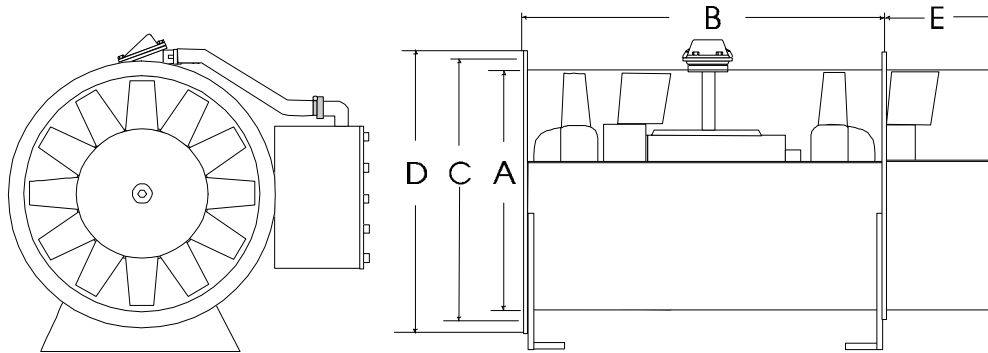
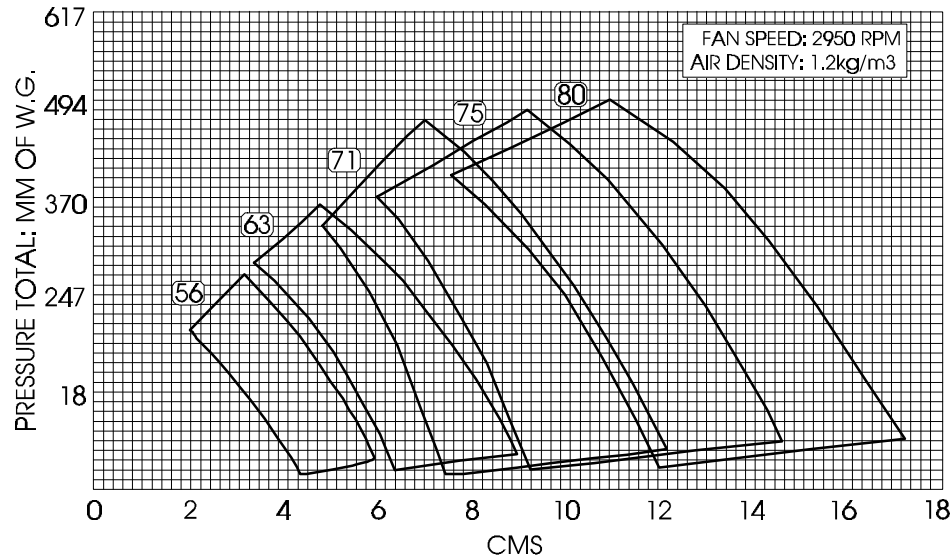
NOTES

- ELECTRIC MOTORS MAY BE SUPPLIED WITH THE FOLLOWING FEATURES: STANDARD ENCLOSURES, CLASS-I, GROUP-D, CLASS-II, GROUP-E, F, G, X/P - MSHA, MARINE DUTY.
- STARTER ASSEMBLIES: STANDARD, EXPLOSION PROOF, MSHA X/P RATED ENCLOSURES.
- INLET & OUTLET ADAPTERS, SKID ASSEM., AXLE ASSEM., SELF PROPELLED, PROTECTIVE CAGE ASSEM., TRICKLE DUSTERS, MOUNTING FEET, MAY BE SUPPLIED FOR ALL UNITS.
- THE DIMENSIONS SUPPLIED ARE FOR STANDARD PRODUCTION FAN UNITS. FAN UNITS MAY BE CUSTOM BUILT TO YOUR SPECIFICATIONS IN REGARDS TO SIZES, VOLUMES AND PRESSURES.

MATERIAL SPECIFICATIONS

- FAN CASING THICKNESS: 6mm to 10mm STEEL PLATE
- FAN FLANGES: 10mm X 50mm STEEL, STANDARD.
- FAN UNIT LIFTING BAR INCLUDED.
- ADJUSTABLE AT STANDSTILL IMPELLER ASSEMBLIES
- INCLUDED BUT NOT SHOWN: MOTOR CONNECTION BOX AND EXTERNAL LUBRICATION LINES.
- TEFC OR TEAO MOTORS ARE SUPPLIED.

REFERENCE ENVELOPE PERFORMANCE CURVES: SHOWING CMS Vs. Pt, MINIMUM TO MAXIMUM.
INDIVIDUAL FAN PERFORMANCE CURVES SUPPLIED UPON REQUEST.

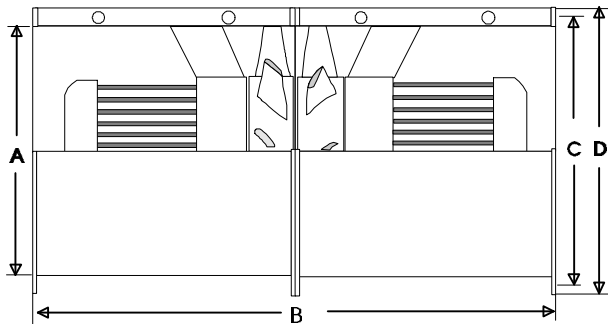
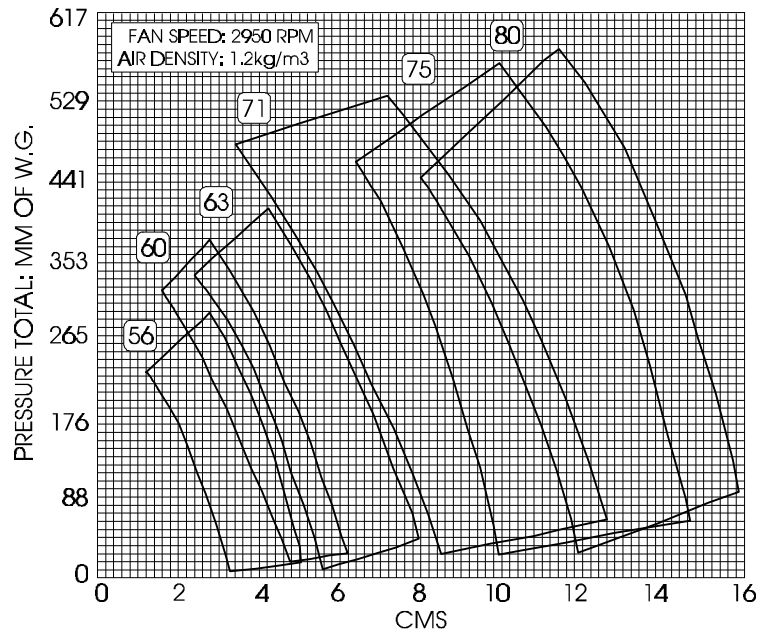


SIZE	A	B	C	D	E	HP	BOLT HOLES
56	559	AS PER REQUIREMENT	622	699	356	AS PER REQUIREMENT	12 - 16mm
63	635		699	775	356		12 - 16mm
71	711		775	851	356		12 - 16mm
75	762		838	902	356		12 - 16mm
80	546		876	940	356		12 - 16mm

NOTES

- | | |
|--|--|
| <p>MATERIAL SPECIFICATIONS</p> <ol style="list-style-type: none"> FAN CASING THICKNESS: 6mm to 10mm STEEL PLATE FAN FLANGES: 10mm X 50mm STEEL, STANDARD. FAN UNIT LIFTING BAR INCLUDED. FIXED PITCH OR ADJUSTABLE IMPELLER ASSEMBLIES INCLUDED BUT NOT SHOWN: MOTOR CONNECTION BOX AND EXTERNAL LUBRICATION LINES. TEFC OR TEAO MOTORS ARE SUPPLIED. HYDRAULIC MOTORS MAY BE SUPPLIED ON ALL SIZES. | <ol style="list-style-type: none"> ELECTRIC MOTORS MAY BE SUPPLIED WITH THE FOLLOWING FEATURES: STANDARD ENCLOSURES, CLASS-I, GROUP-D, CLASS-II, GROUP-E, F, G, X/P - MSHA, MARINE DUTY. STARTER ASSEMBLIES: STANDARD, EXPLOSION PROOF, MSHA X/P RATED ENCLOSURES. INLET & OUTLET ADAPTERS, SKID ASSEM., AXLE ASSEM., SELF PROPELLED, PROTECTIVE CAGE ASSEM., TRICKLE DUSTERS, MOUNTING FEET, MAY BE SUPPLIED FOR ALL UNITS. THE DIMENSIONS SUPPLIED ARE FOR STANDARD PRODUCTION FAN UNITS. FAN UNITS MAY BE CUSTOM BUILT TO YOUR SPECIFICATIONS IN REGARDS TO SIZES, VOLUMES AND PRESSURES. |
|--|--|

REFERENCE ENVELOPE PERFORMANCE CURVES: SHOWING CMS Vs. P_t, MINIMUM TO MAXIMUM.
INDIVIDUAL FAN PERFORMANCE CURVES SUPPLIED UPON REQUEST.



MATERIAL SPECIFICATIONS

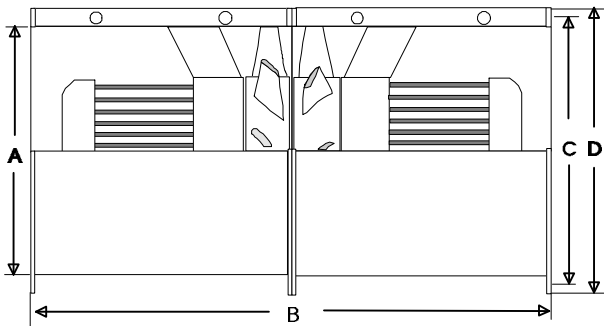
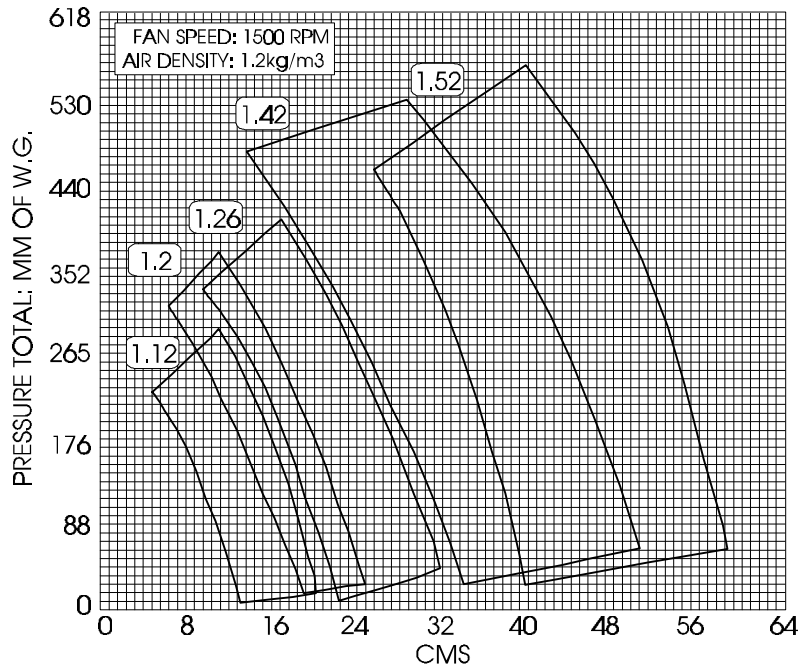
1. FAN CASING THICKNESS: 6mm to 10mm STEEL PLATE
2. FAN FLANGES: 10mm X 50mm STEEL, STANDARD.
3. FAN UNIT LIFTING BAR INCLUDED.
4. FIXED OR ADJUSTABLE AT STANDSTILL IMPELLER ASSEMBLIES
5. INCLUDED BUT NOT SHOWN: MOTOR CONNECTION BOX AND EXTERNAL LUBRICATION LINES.
6. TEFC OR TEAO MOTORS ARE SUPPLIED.
7. HORSEPOWER RANGES SHOWN ARE MINIMUM TO MAXIMUM

FAN SIZE	A	B	C	D	BOLT HOLES	FAN RPM	KW RANGE
56	559	1524	622	699	12 - 16mm	2950	DUAL 2 X 8 2 X 16
60	597	1524	673	737	12 - 16mm	2950	DUAL 2 X 12 2 X 20
63	635	1676.4	699	775	12 - 16mm	2950	DUAL 2 X 20 2 X 24
71	711	1828.8	775	851	12 - 16mm	2950	DUAL 2 X 24 2 X 47
76	762	1828.8	838	902	12 - 16mm	2950	DUAL 2 X 39 2 X 78
80	800	1828.8	876	940	12 - 16mm	2950	DUAL 2 X 47 2 X 78

NOTES

1. ELECTRIC MOTORS MAY BE SUPPLIED WITH THE FOLLOWING FEATURES: STANDARD ENCLOSURES, CLASS-I, GROUP-D, CLASS-II, GROUP-E, F, G, X/P - MSHA, MARINE DUTY.
2. STARTER ASSEMBLIES: STANDARD, EXPLOSION PROOF, MSHA X/P RATED ENCLOSURES.
3. INLET & OUTLET ADAPTERS, SKID ASSEM., AXLE ASSEM., SELF PROPELLED, PROTECTIVE CAGE ASSEM., TRICKLE DUSTERS, MOUNTING FEET, MAY BE SUPPLIED FOR ALL UNITS.
4. THE DIMENSIONS SUPPLIED ARE FOR STANDARD PRODUCTION FAN UNITS. FAN UNITS MAY BE CUSTOM BUILT TO YOUR SPECIFICATIONS IN REGARDS TO SIZES, VOLUMES AND PRESSURES.
5. UP TO 4 STAGES CAN BE ASSEMBLES, P_t CAN ALMOST BE DOUBLED.

REFERENCE ENVELOPE PERFORMANCE CURVES: SHOWING CMS Vs. Pt, MINIMUM TO MAXIMUM.
INDIVIDUAL FAN PERFORMANCE CURVES SUPPLIED UPON REQUEST.



MATERIAL SPECIFICATIONS

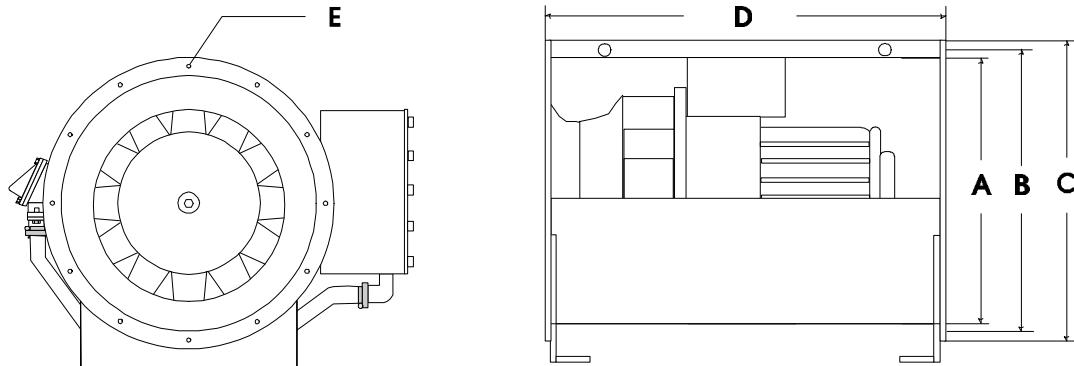
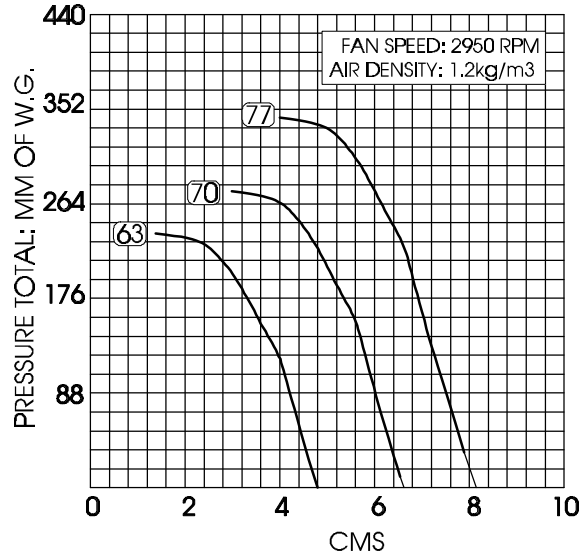
1. FAN CASING THICKNESS: 6mm to 10mm STEEL PLATE
2. FAN FLANGES: 13mm X 50mm STEEL, STANDARD.
3. FAN UNIT LIFTING BAR INCLUDED.
4. FIXED OR ADJUSTABLE AT STANDSTILL IMPELLER ASSEMBLIES
5. INCLUDED BUT NOT SHOWN: MOTOR CONNECTION BOX AND EXTERNAL LUBRICATION LINES.
6. TEFC OR TEAO MOTORS ARE SUPPLIED.
7. HORSEPOWER RANGES SHOWN ARE MINIMUM TO MAXIMUM

FAN SIZE	A	B	C	D	BOLT HOLES	FAN RPM	KW RANGE
1.12	1118	2438	1194	1232	16 - 16mm	1500	DUAL 2 X 31 2 X 62
1.2	1194	2438	1257	1308	16 - 16mm	1500	DUAL 2 X 47 2 X 78
1.26	1270	2438	1321	1384	16 - 16mm	1500	DUAL 2 X 78 2 X 97
1.42	1422	3048	1486	1537	16 - 16mm	1500	DUAL 2 X 97 2 X 194
1.52	1524	3048	1594	1638	16 - 16mm	1500	DUAL 2 X 155 2 X 310

NOTES

1. ELECTRIC MOTORS MAY BE SUPPLIED WITH THE FOLLOWING FEATURES: STANDARD ENCLOSURES, CLASS-I, GROUP-D, CLASS-II, GROUP-E, F, G, X/P - MSHA, MARINE DUTY.
2. STARTER ASSEMBLIES: STANDARD, EXPLOSION PROOF, MSHA X/P RATED ENCLOSURES.
3. INLET & OUTLET ADAPTERS, SKID ASSEMBLY., AXLE ASSEMBLY., SELF PROPELLED, PROTECTIVE CAGE ASSEMBLY., TRICKLE DUSTERS, MOUNTING FEET, MAY BE SUPPLIED FOR ALL UNITS.
4. THE DIMENSIONS SUPPLIED ARE FOR STANDARD PRODUCTION FAN UNITS. FAN UNITS MAY BE CUSTOM BUILT TO YOUR SPECIFICATIONS IN REGARDS TO SIZES, VOLUMES AND PRESSURES.
5. UP TO 4 STAGES CAN BE ASSEMBLES, Pt CAN ALMOST BE DOUBLED.

PERFORMANCE CURVES: SHOWING CMS Vs. Pt.



FAN SIZE	A	B	C	D	E	HP	dBA
63	635	699	749	914	12 EA. 13MM HOLES	24	90
70	697	760	811	1219	12 EA. 13MM HOLES	39	90
77	775	838	889	1219	12 EA. 13MM HOLES	78	93

NOISE DATA

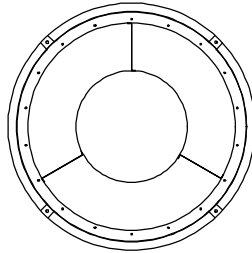
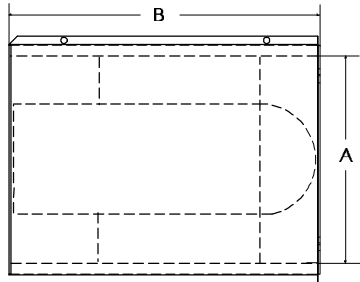
- ALL DATA BASED ON AN OPEN FREE FIELD PARAMETERS.

MATERIAL SPECIFICATIONS

- FAN CASING THICKNESS: 6mm to 10mm STEEL PLATE
- FAN FLANGES: 10mm X 50mm STEEL, STANDARD.
- FAN UNIT LIFTING BAR INCLUDED.
- INCLUDED BUT NOT SHOWN: MOTOR CONNECTION BOX AND EXTERNAL LUBRICATION LINES.
- TEFC OR TEAO MOTORS ARE SUPPLIED.

NOTES

- ELECTRIC MOTORS MAY BE SUPPLIED WITH THE FOLLOWING FEATURES: STANDARD ENCLOSURES, CLASS-I, GROUP-D, CLASS-II, GROUP-E, F, G, X/P - MSHA, MARINE DUTY.
- STARTER ASSEMBLIES: STANDARD, EXPLOSION PROOF, MSHA X/P RATED ENCLOSURES.
- INLET & OUTLET ADAPTERS, SKID ASSEM., AXLE ASSEM., PROTECTIVE CAGE ASSEM., TRICKLE DUSTERS, MOUNTING FEET, MAY BE SUPPLIED FOR ALL UNITS.
- THE DIMENSIONS SUPPLIED ARE FOR STANDARD PRODUCTION FAN UNITS. FAN UNITS MAY BE CUSTOM BUILT TO YOUR SPECIFICATIONS IN REGARDS TO SIZES, VOLUMES AND PRESSURES.



A	B	OCTAVE BAND MID-FREQUENCIES							
		63 HZ	125 HZ	250 HZ	500 HZ	1K HZ	2K HZ	4K HZ	8K HZ
305	457	2	5	5	9	18	20	18	15
394	591	2	6	6	10	19	24	20	17
495	743	2	3	8	16	21	22	21	17
597	895	3	5	8	16	19	16	14	12
762	1143	4	5	8	16	19	15	14	13
889	1334	5	5	11	18	19	14	14	14
1245	1867	5	8	12	19	17	14	12	10
1397	2096	5	8	13	17	16	13	11	8

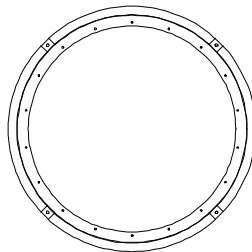
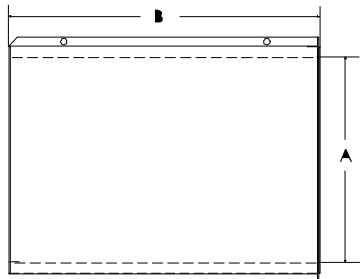
FOR ID'S LARGER THAN 1397MM CONSULT FACTORY

CONSTRUCTION FEATURES

- LIFTING / HANGING BAR
- CLEANABLE DESIGN
- CONSTRUCTED FOR UNDERGROUND MINING
- LOW PRESSURE DROP

NOTES:

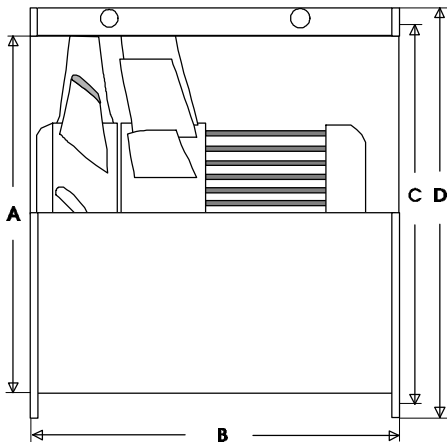
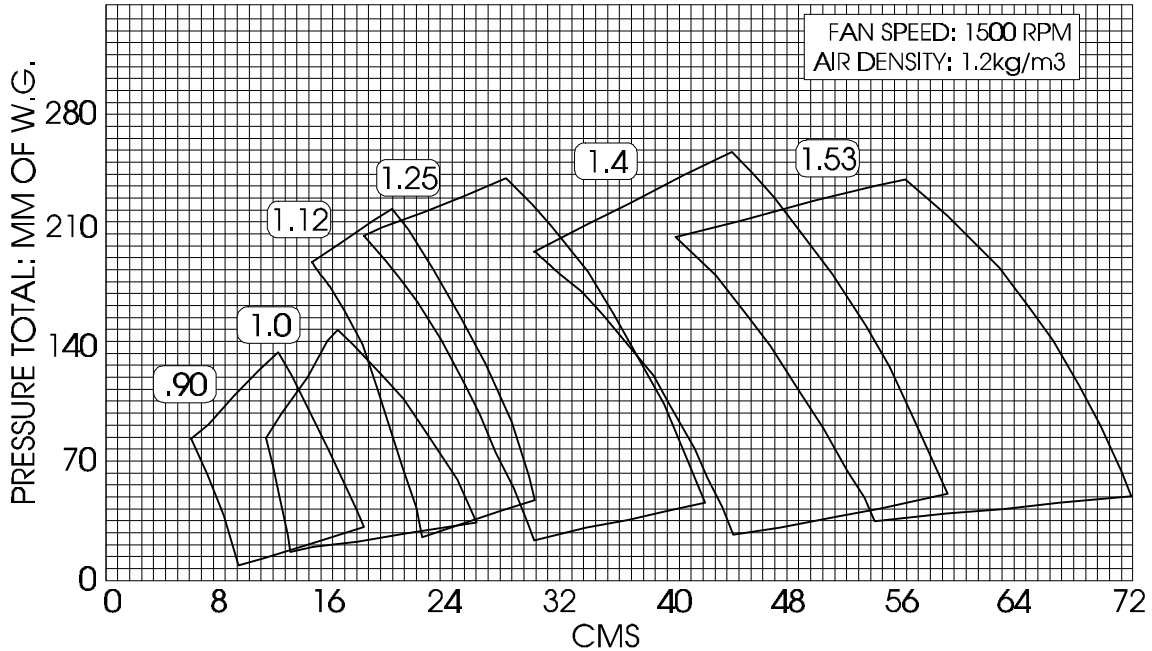
- VALUES WILL VARY IN REGARDS TO FAN PLACEMENT, LOCATION, FAN STYLE AND VOLUME/PRESSURE PRODUCED BY THE FAN.
- ALL VALUES BASED UPON AN OPEN FREE FIELD, WITH FAN UNIT MOUNTED ON A HEMISPHERICAL PLANE.
- ALL SILENCERS ARE BUILT TO THE SPECIFIC FAN SIZE.



A	B	OCTAVE BAND MID-FREQUENCIES							
		63 HZ	125 HZ	250 HZ	500 HZ	1K HZ	2K HZ	4K HZ	8K HZ
305	457	1	2	4	9	11	10	9	7
394	591	2	3	5	10	13	11	9	8
495	743	2	3	6	13	14	10	10	5
597	895	3	5	7	15	13	8	9	8
762	1143	3	5	8	16	12	9	9	8
889	1334	4	5	11	16	11	10	8	9
1245	1867	4	6	12	17	10	9	8	7
1397	2096	5	7	13	16	10	8	7	6

FOR ID'S LARGER THAN 1397MM CONSULT FACTORY

REFERENCE ENVELOPE PERFORMANCE CURVES: SHOWING CMS Vs. Pt, MINIMUM TO MAXIMUM.
INDIVIDUAL FAN PERFORMANCE CURVES SUPPLIED UPON REQUEST. NOTE:



MATERIAL SPECIFICATIONS

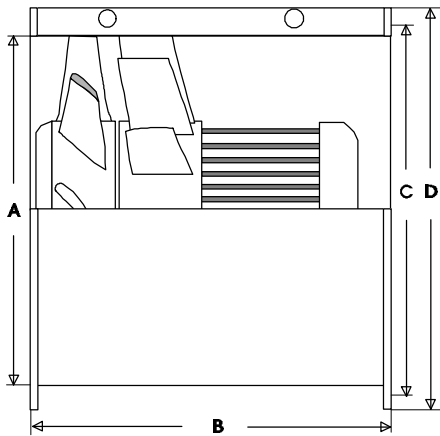
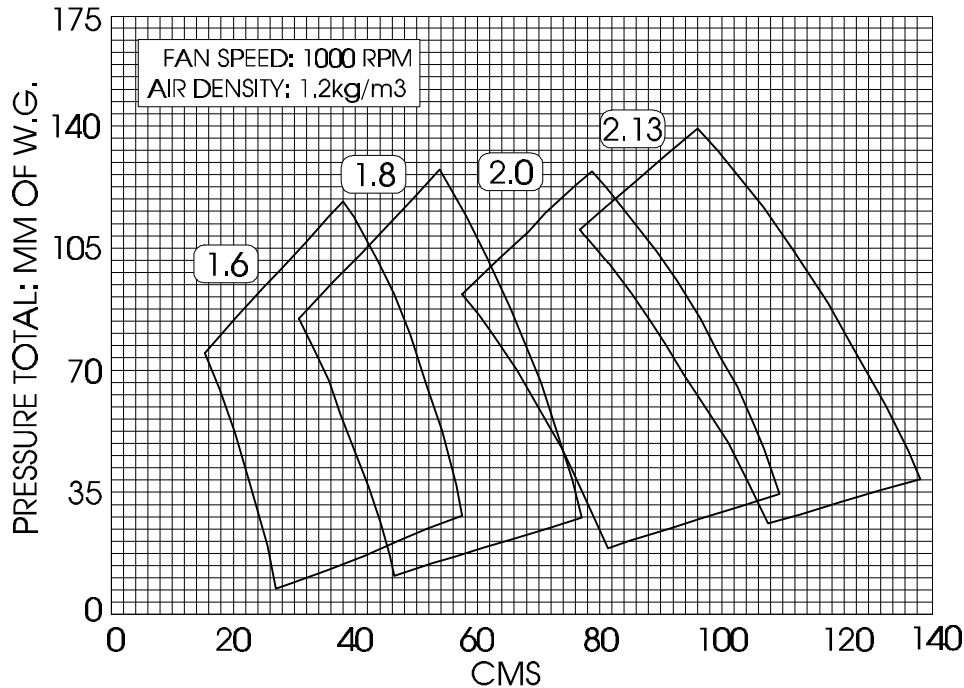
1. FAN CASING THICKNESS: 6mm to 10mm STEEL PLATE
 2. FAN FLANGES: 10mm X 50mm TO 13mm X 50mm STEEL, STANDARD.
 3. FAN UNIT LIFTING BAR INCLUDED.
 4. ADJUSTABLE AT STANDSTILL IMPELLER ASSEMBLIES
 5. INCLUDED BUT NOT SHOWN: MOTOR CONNECTION BOX AND EXTERNAL LUBRICATION LINES.
 6. TEFC OR TEAO MOTORS ARE SUPPLIED.
- ALL DESIGNS MAY BE BELT DRIVEN AND SKID MOUNTED
 - ALSO AVAILABLE IN TWO STAGE DESIGN

NOTES

1. ELECTRIC MOTORS MAY BE SUPPLIED WITH THE FOLLOWING FEATURES: STANDARD ENCLOSURES, CLASS-I, GROUP-D, CLASS-II, GROUP-E, F, G, X/P - MSHA, MARINE DUTY.
2. STARTER ASSEMBLIES: STANDARD, EXPLOSION PROOF, MSHA X/P RATED ENCLOSURES.
3. INLET & OUTLET ADAPTERS, SKID ASSEM., AXLE ASSEM., PROTECTIVE CAGE ASSEM., TRICKLE DUSTERS, MOUNTING FEET, MAY BE SUPPLIED FOR ALL UNITS.
4. THE DIMENSIONS SUPPLIED ARE FOR STANDARD PRODUCTION FAN UNITS. FAN UNITS MAY BE CUSTOM BUILT TO YOUR SPECIFICATIONS IN REGARDS TO SIZES, VOLUMES AND PRESSURES.
5. 750 & 1000 RPM FAN PERFORMANCE CURVES AVAILABLE UPON REQUEST.

FAN SIZE	A	B	C	D	BOLT HOLES	RPM RANGE
.90	902	914	978	1041	12 - 16mm	710 - 2950
1.0	1003	1067	1080	1143	16 - 16mm	710 - 1500
1.12	1118	1219	1194	1257	16 - 16mm	710 - 1500
1.25	1251	1524	1321	1391	16 - 16mm	710 - 1500
1.4	1400	1524	1470	1540	16 - 16mm	710 - 1500
1.53	1524	1524	1594	1664	16 - 16mm	710 - 1500

REFERENCE ENVELOPE PERFORMANCE CURVES: SHOWING CMS Vs. Pt, MINIMUM TO MAXIMUM.
INDIVIDUAL FN PERFORMANCE CURVES SUPPLIED UPON REQUEST.



MATERIAL SPECIFICATIONS

1. FAN CASING THICKNESS: 6mm to 10mm STEEL PLATE
2. FAN FLANGES: 10mm X 50mm TO 13mm X 50mm STEEL, STANDARD.
3. FAN UNIT LIFTING BAR INCLUDED.
4. ADJUSTABLE AT STANDSTILL IMPELLER ASSEMBLIES
5. INCLUDED BUT NOT SHOWN: MOTOR CONNECTION BOX AND EXTERNAL LUBRICATION LINES.
6. TEFC OR TEAO MOTORS ARE SUPPLIED.

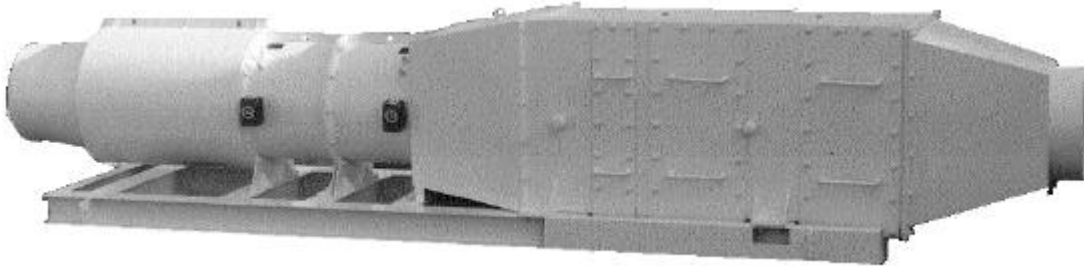
NOTE:

- ALL DESIGNS MAY BE BELT DRIVEN AND SKID MOUNTED
- ALSO AVAILABLE IN TWO STAGE DESIGN

NOTES

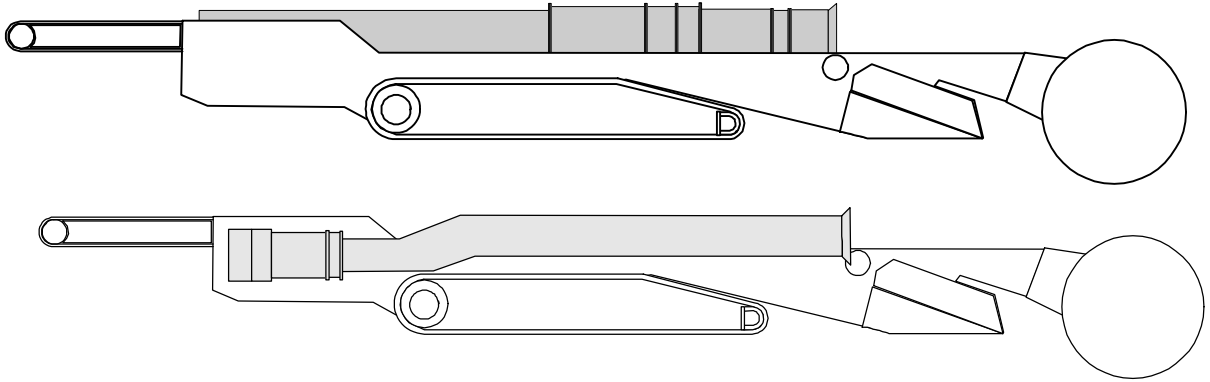
1. ELECTRIC MOTORS MAY BE SUPPLIED WITH THE FOLLOWING FEATURES: STANDARD ENCLOSURES, CLASS-I, GROUP-D, CLASS-II, GROUP-E, F, G, X/P - MSHA, MARINE DUTY.
2. STARTER ASSEMBLIES: STANDARD, EXPLOSION PROOF, MSHA X/P RATED ENCLOSURES.
3. INLET & OUTLET ADAPTERS, SKID ASSEM., AXLE ASSEM., PROTECTIVE CAGE ASSEM., TRICKLE DUSTERS, MOUNTING FEET, MAY BE SUPPLIED FOR ALL UNITS.
4. THE DIMENSIONS SUPPLIED ARE FOR STANDARD PRODUCTION FAN UNITS. FAN UNITS MAY BE CUSTOM BUILT TO YOUR SPECIFICATIONS IN REGARDS TO SIZES, VOLUMES AND PRESSURES.
5. 880 RPM FAN PERFORMANCE CURVES AVAILABLE UPON REQUEST.

FAN SIZE	A	B	C	BOLT HOLES	D	RPM RANGE
1.6	1600	1524	1670	16 - 16mm	1740	710 - 1500
1.67	1676	1524	1753	16 - 16mm	1842	710 - 1000
1.8	1803	1524	1880	16 - 16mm	1969	710 - 1000
2	2000	1524	2076	16 - 16mm	2165	710 - 1000
2.1	2096	1524	2172	16 - 16mm	2261	710 - 1000
2.13	2134	1524	2210	16 - 16mm	2299	710 - 1000

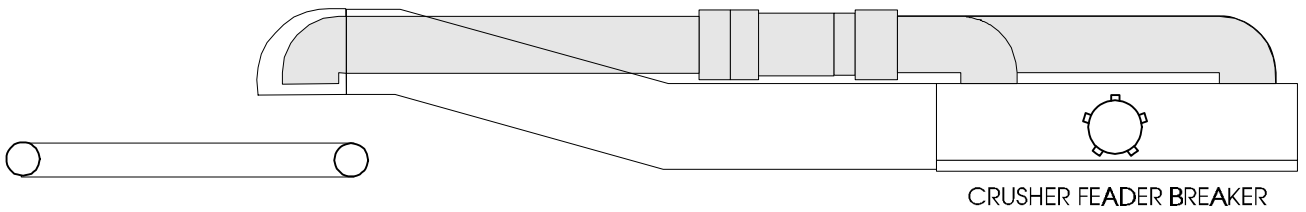
SCRUBBER SYSTEMS: UNDERGROUND MINING

- I. VOLUME RANGE : 1 TO 15 CMS
- II. PARTICULATE SIZE REMOVED: DOWN TO 5 MICRON AT 92-95% EFFICIENCY
- III. SOURCE TO REMOVE DUST: WATER
- IV. VOLTAGES: 300-1000V/50,60Hz/3 ϕ
- V. APPROVED UNDER SCH-2G-4009A-0
- VI. APPLICATIONS:
 - A. STAGE LOADERS [BEHIND LONGWALL]
 - B. CONTINUOUS MINERS
 - C. IN-LINE SYSTEMS
 - D. TUNNELS & TUNNELING
- VII. ALL SCRUBBER SYSTEMS ARE FITTED WITH MINE DUTY SILENCERS FOR 90 dBa OPERATION.
- VIII. ALL FANS SUPPLIED ARE MINE DUTY WITH ADJUSTABLE AT STANDSTILL IMPELLERS.
- IX. ALL MOTORS SUPPLIED TO COAL MINES ARE RELIANCE ELECTRIC BRAND.
- X. NORMAL LPM REQUIREMENT: 50-190
- XI. COMPLETE SYSTEM IS SUPPLIED.

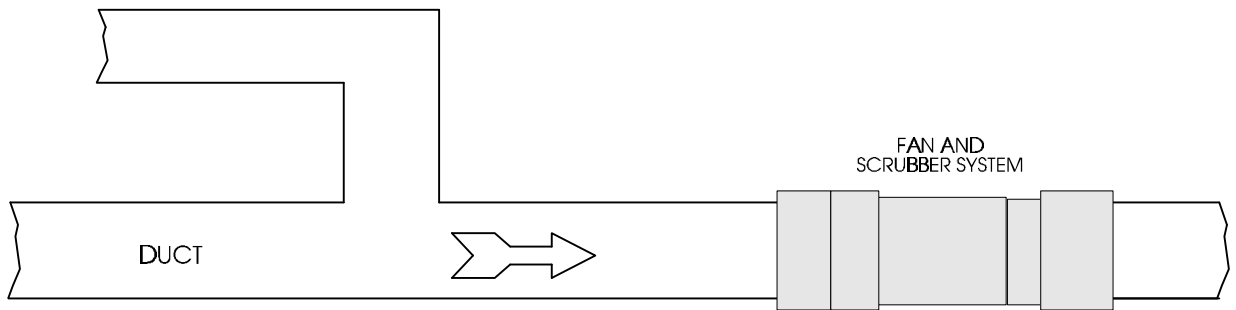
TYPICAL APPLICATIONS



CONTINUOUS MINERS



LONGWALLS



IN-LINE DUCTING

AND ANY OTHER DUST COLLECTION NEED



CASSETTE SYSTEMS
FOR
ROUND OR OVAL
FLEXIBLE DUCTING

DUCT ADAPTERS: CUSTOM BUILT OUTLET ADAPTERS
STANDARD DUCTING CAPACITY IS 100 METERS
DUCT SIZE RANGE IS 300 mm TO 2000 mm

FEATURES:

- HEAVY DUTY STEEL CONSTRUCTION WITH ENAMEL PAINT
- MAY BE SUPPORTED FROM THE TOP, SIDES OR BOTTOM
- MAY BE SUPPLIED WITH OR WITHOUT FEET OR THE UNIT MAY BE SKID MOUNTED
- CASSETTE SYSTEMS ARE CUSTOM MADE TO FIT YOUR SPECIFIC REQUIREMENTS